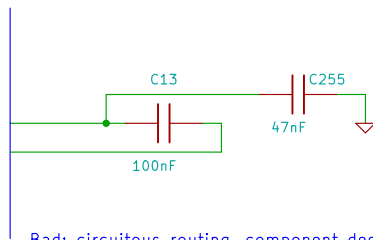
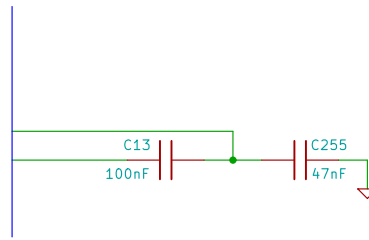


## Keep connections straight and clear.

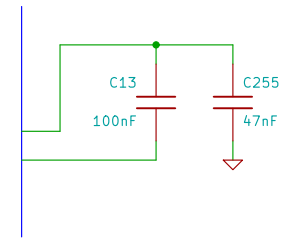
Example from M1rc3/M11r4, audio codec.



Bad: circuitous routing, component description placed far from component.

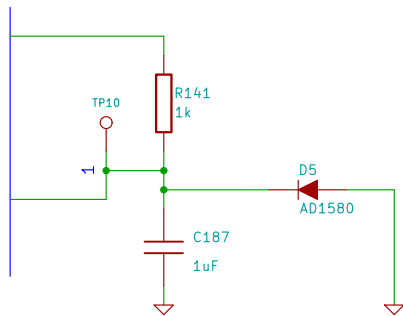


Better: straight and direct.

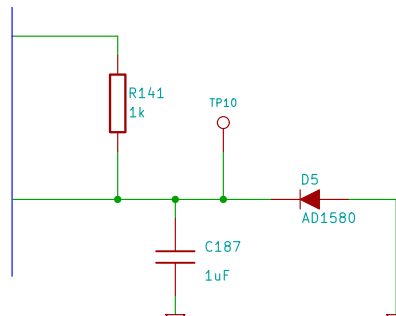


Best: functional structure clearly visible. (Drawback: needs more space.)

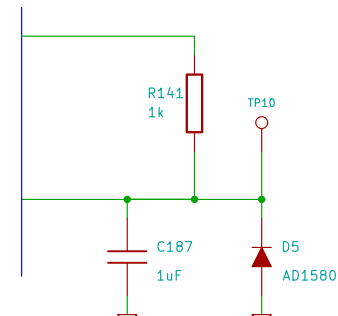
Example from M1rc3/M1r4, VGA DAC. (Simplified)



Bad: valiant effort to avoid four-way intersection makes connection look like an afterthought. TP10 pin number looks like extension of wire.



Better: use single straight connection. (And get rid of pin number.)



Best: ordered by voltage, TP does not visually separate, component sequence strictly follows function.

File: examples.sch

Sheet: /

Title:

Size: A4

Date: 12 mar 2012

Rev:

KiCad E.D.A.

Id: 1/1