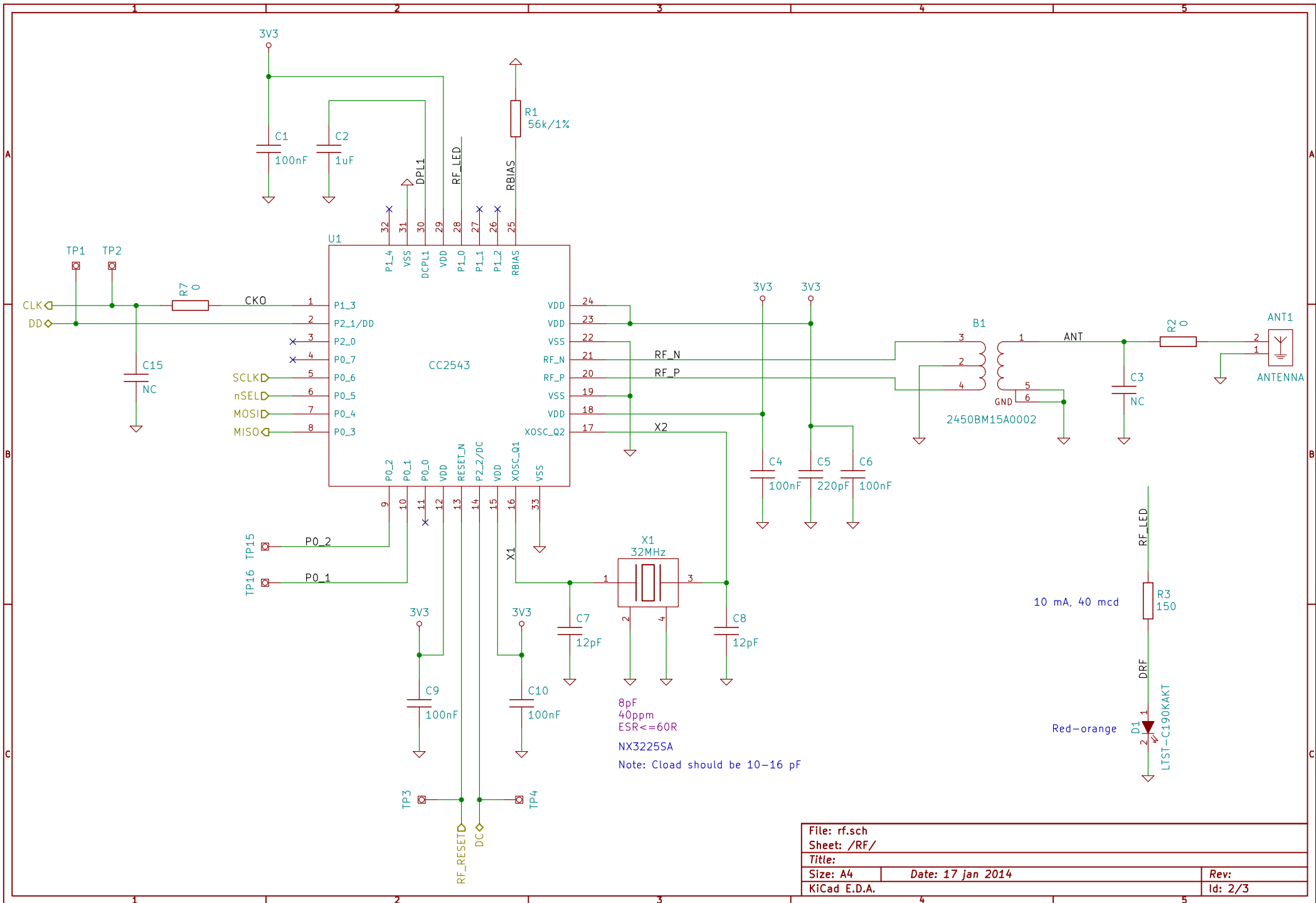
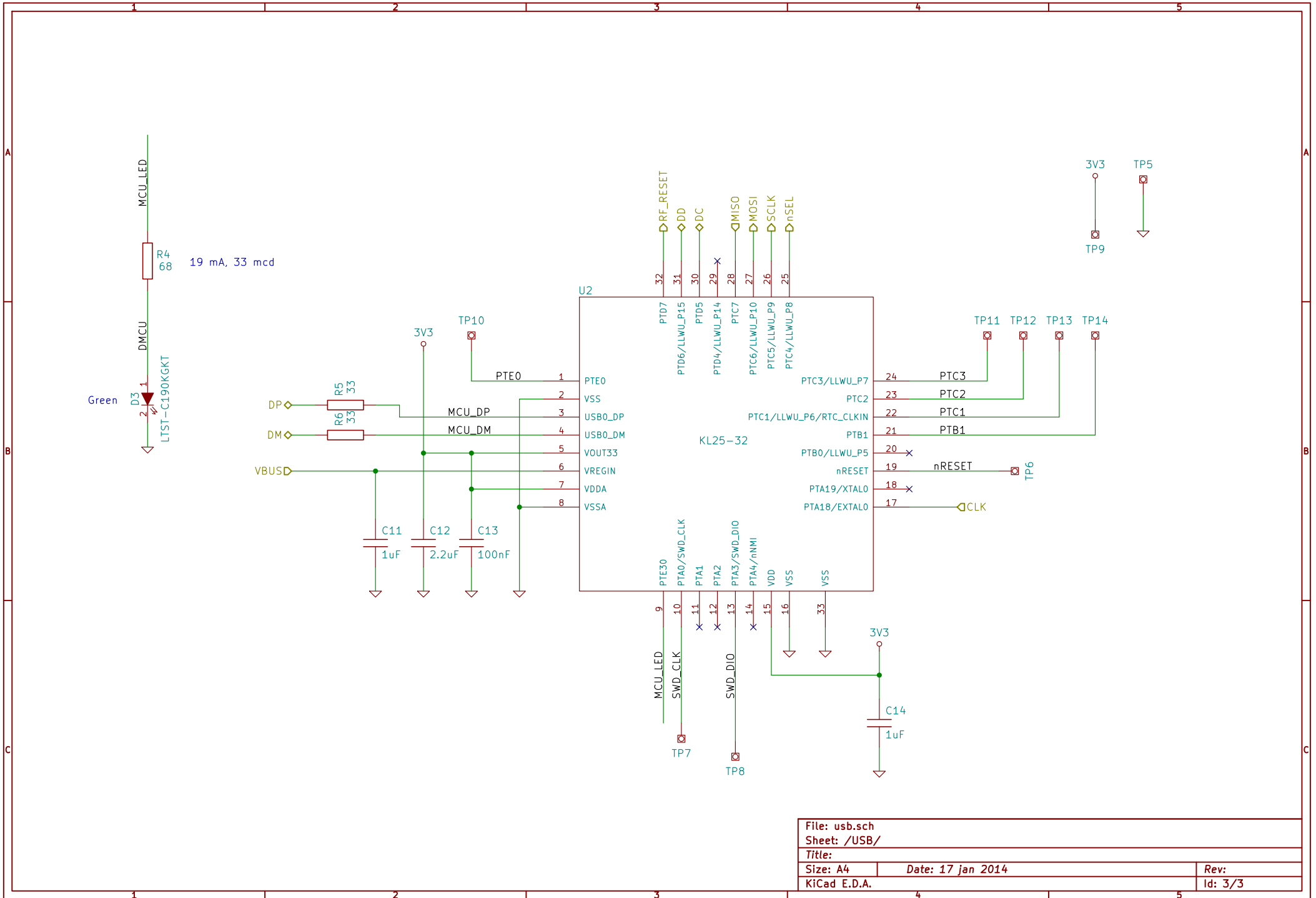


File: ybox.sch	
Sheet: /	
Title: Anelok Y-Box	
Size: A4	Date: 17 jan 2014
KiCad E.D.A.	Rev: 1/3



File: rf.sch	
Sheet: /RF/	
Title:	
Size: A4	Date: 17 jan 2014
KiCad E.D.A.	Rev: Id: 2/3



File: usb.sch	
Sheet: /USB/	
Title:	
Size: A4	Date: 17 jan 2014
KiCad E.D.A.	Rev: 3/3