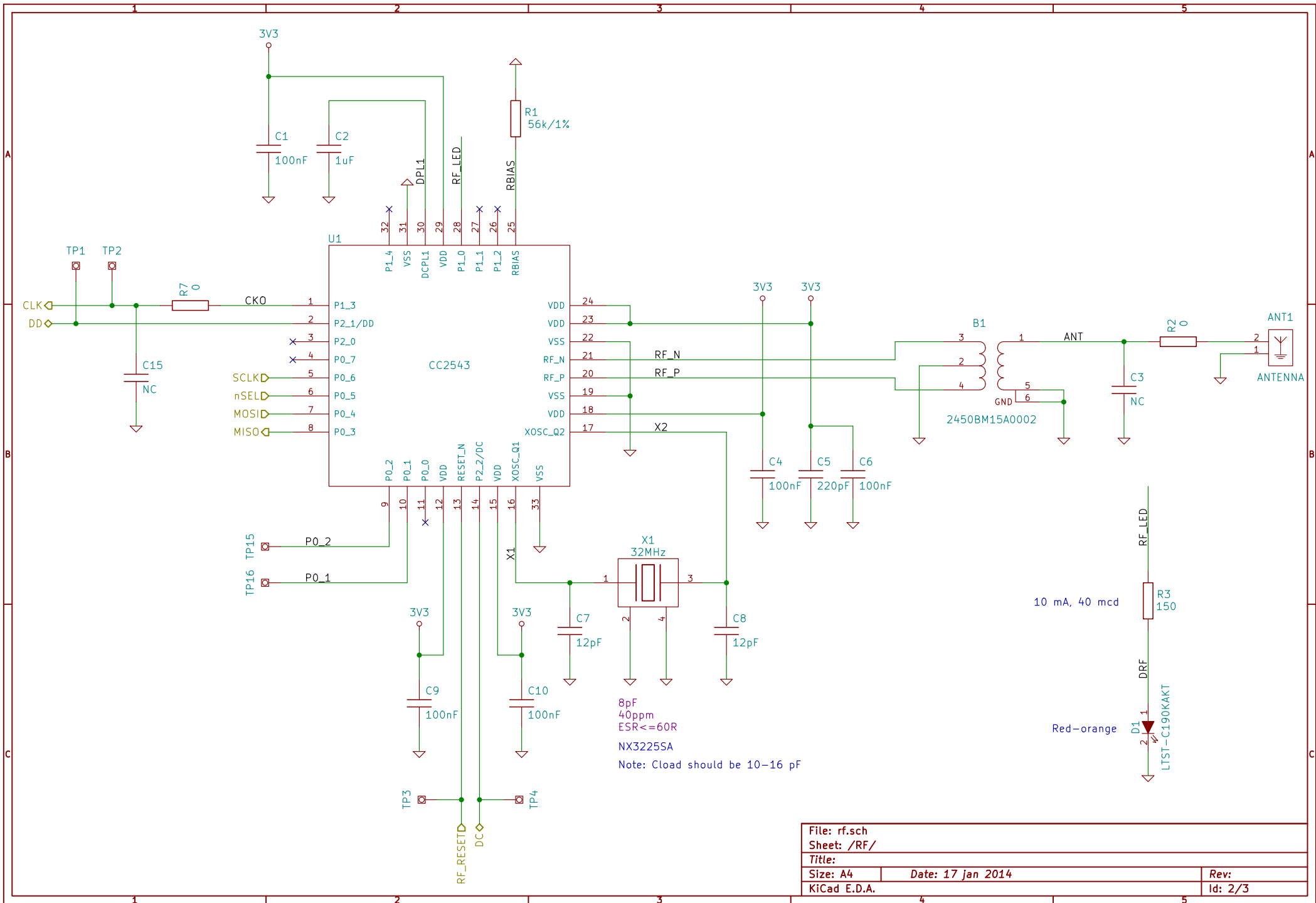
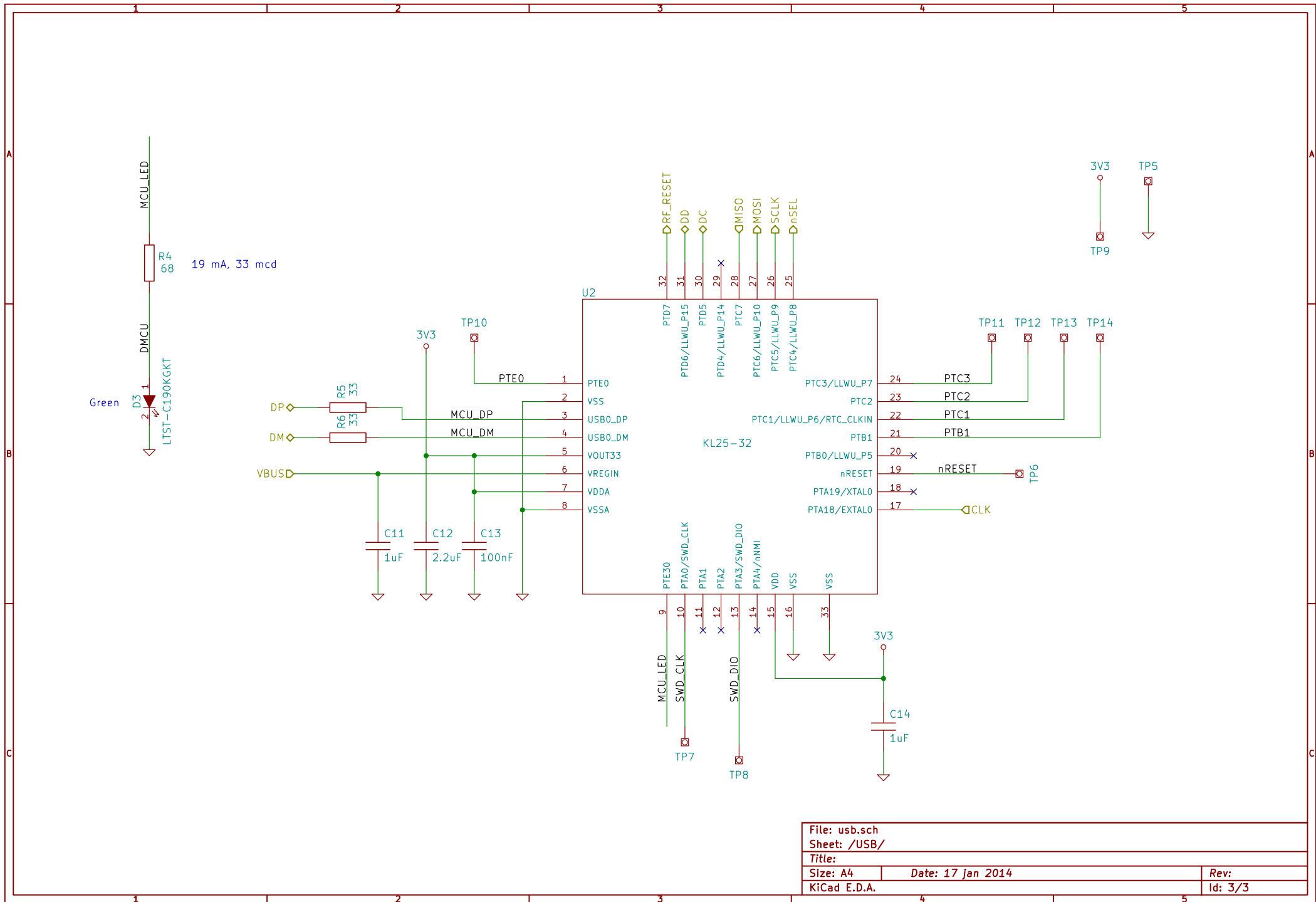


File: ybox.sch	
Sheet: /	
Title:	
Size: A4	Date: 17 jan 2014
KiCad E.D.A.	Rev: 1/3



File: rf.sch	
Sheet: /RF/	
Title:	
Size: A4	Date: 17 jan 2014
KiCad E.D.A.	Rev: Id: 2/3



File: usb.sch		Sheet: /USB/	
Title:			
Size: A4	Date: 17 jan 2014	Rev:	
KiCad E.D.A.		Id: 3/3	