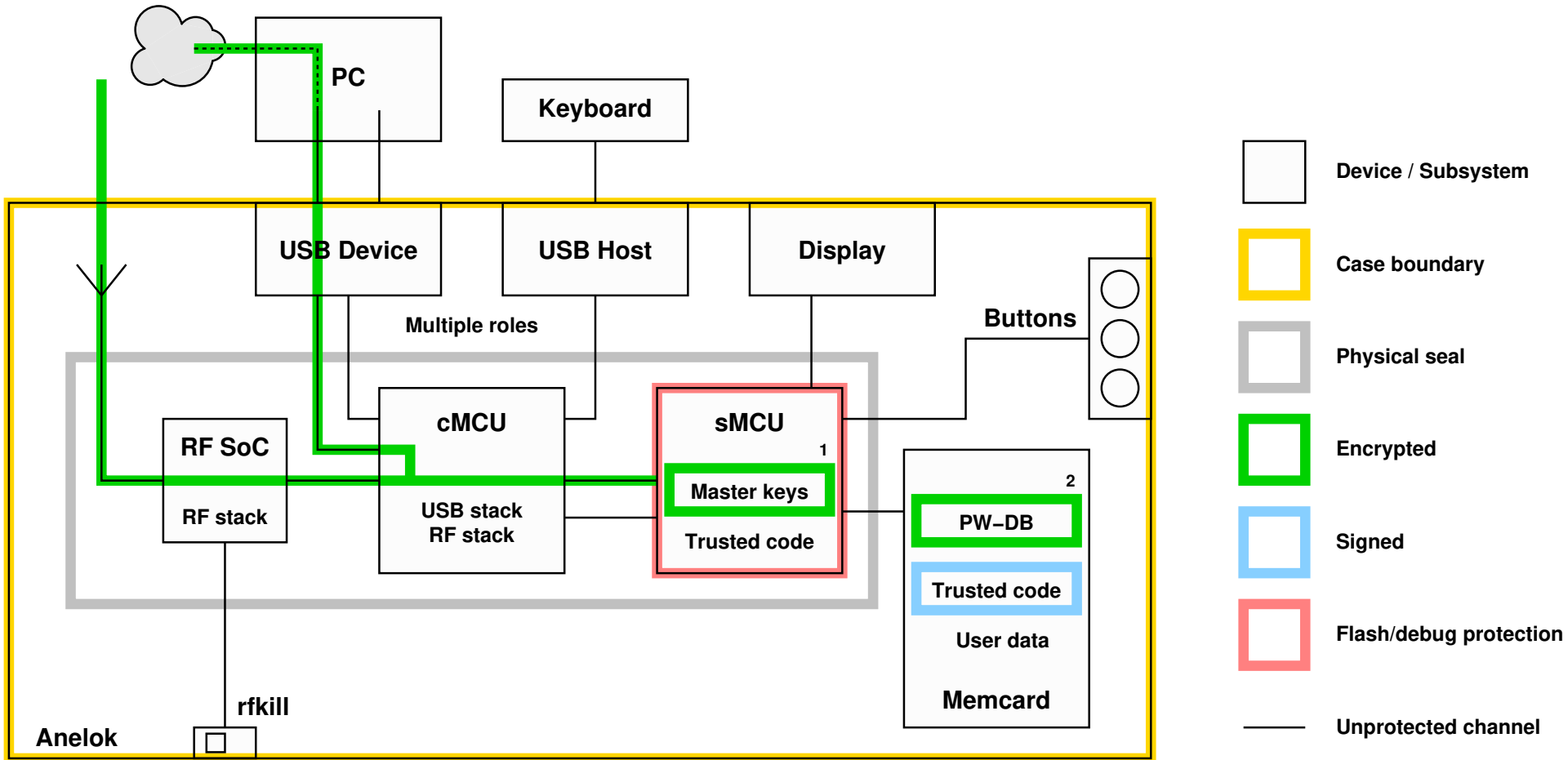


Anelok security model (basic, Mk 3 design)



1 Encrypted with PIN (weak), retry limit for device unlocking

2 Per-object symmetric encryption, object keys encrypted with master keys