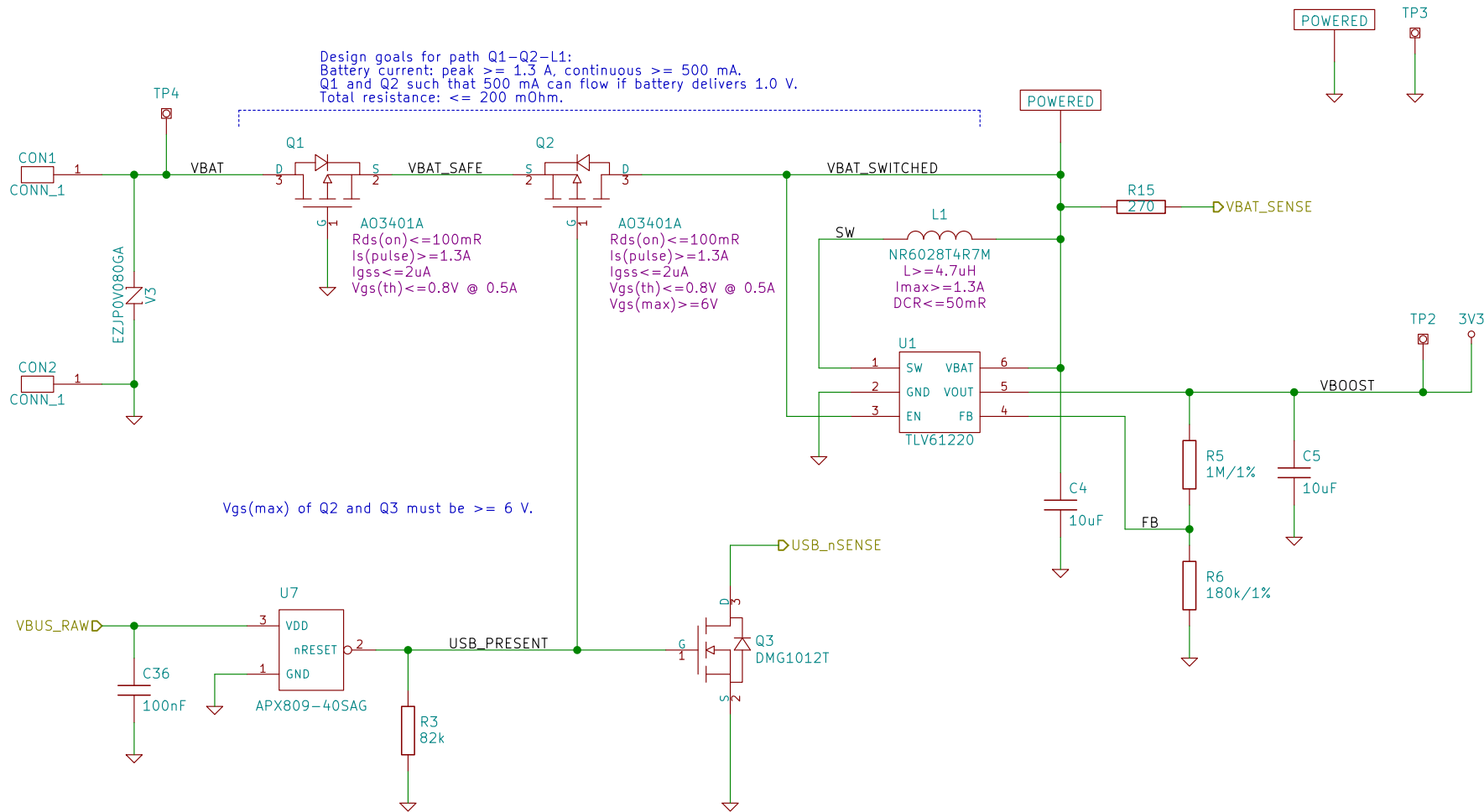


# Power 1



Werner Almesberger	
Sheet: /Power1/	
File: power1.sch	
<b>Title: Anelok Password Safe</b>	
Size: A4	Date: 2016-02-05
KiCad E.D.A. eeschema 0.201602271448+65934Zubuntu16.04.1-product Id: 7/10	
Rev:	