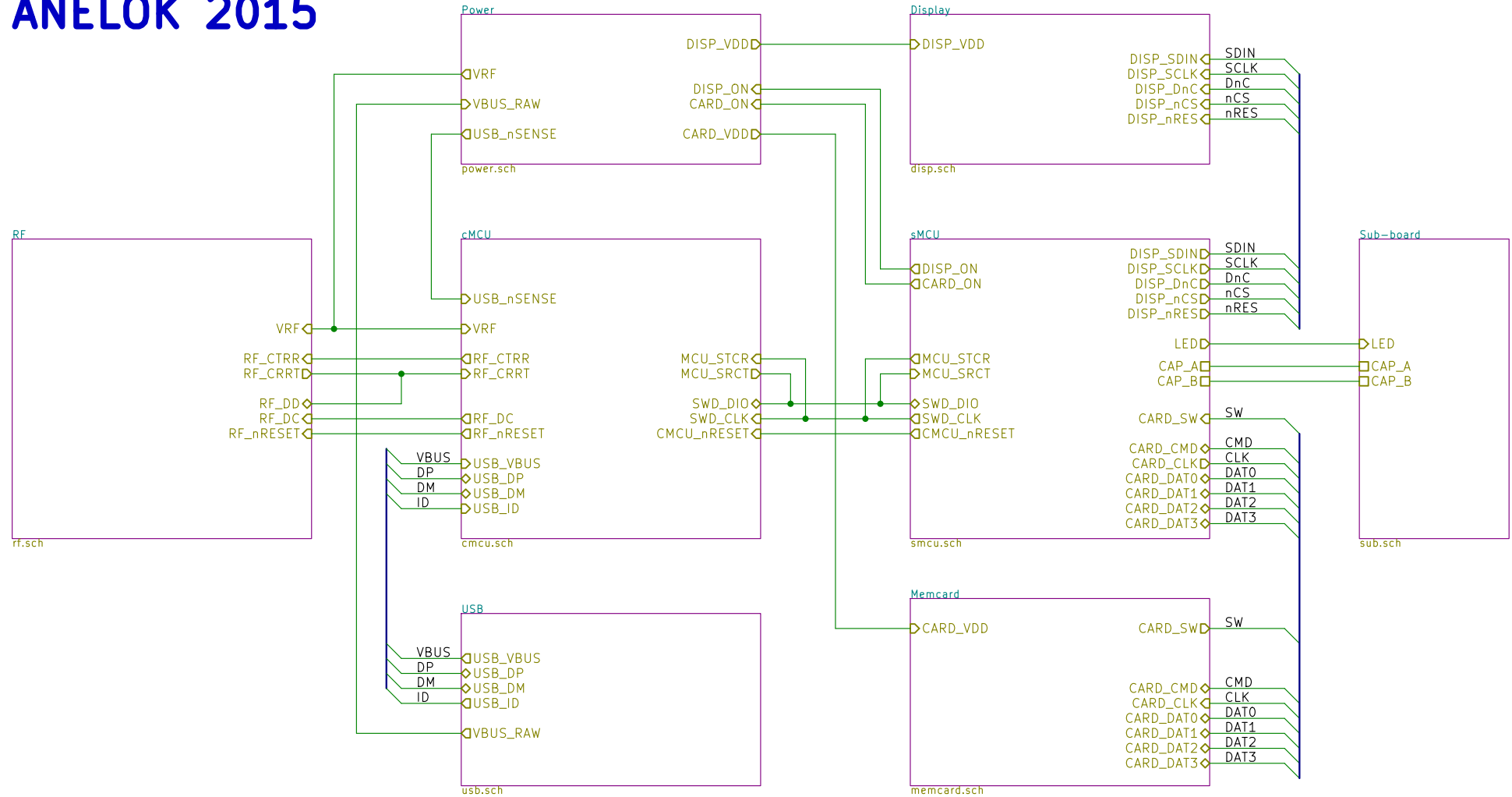


ANELOK 2015



Capacitor selection

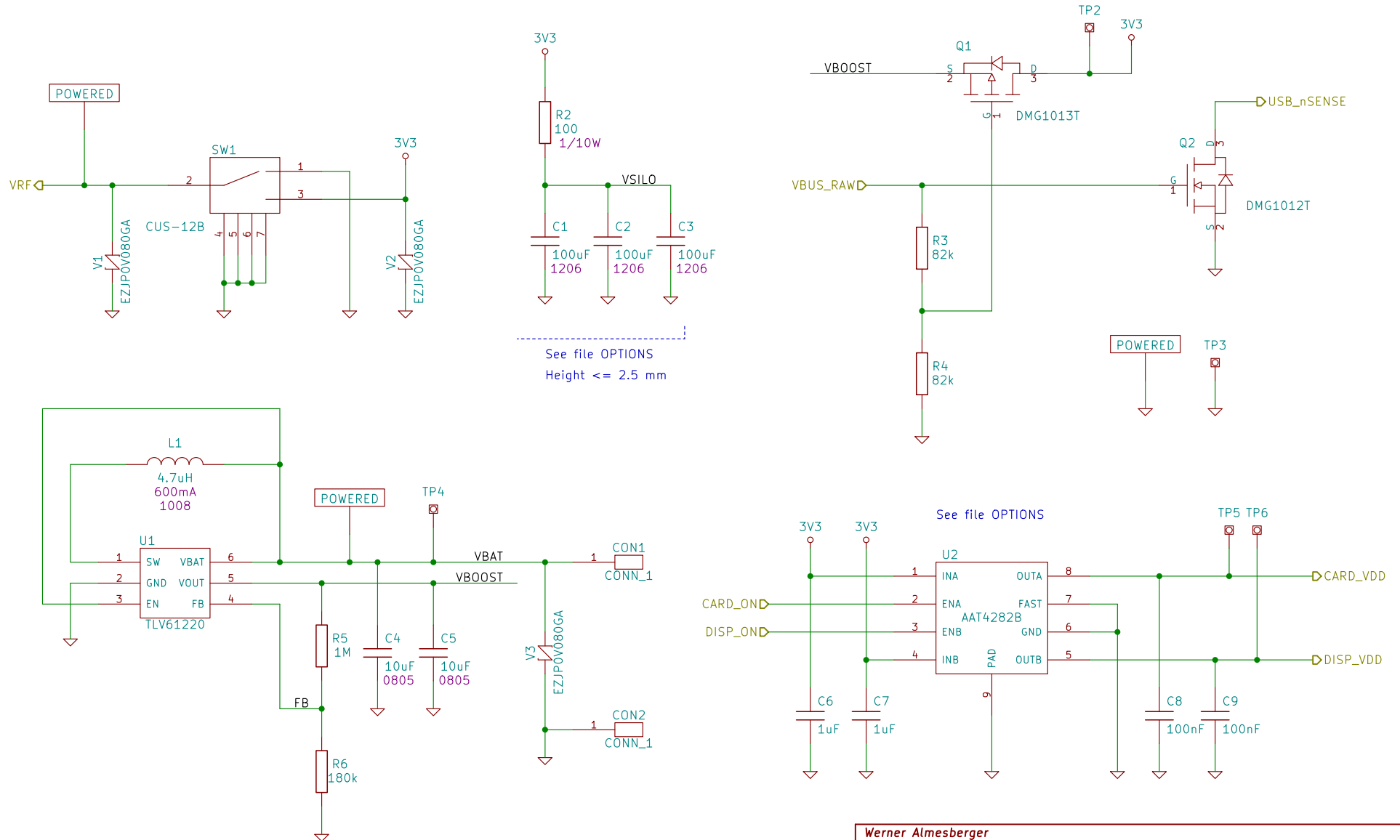
Unless indicated otherwise, all capacitors should be X5R or X6S, or better (X7R, NP0, etc.)

Y5V is cheaper but very sensitive to temperature, ages rapidly, etc.

If no voltage is specified, use ≥ 6.3 V

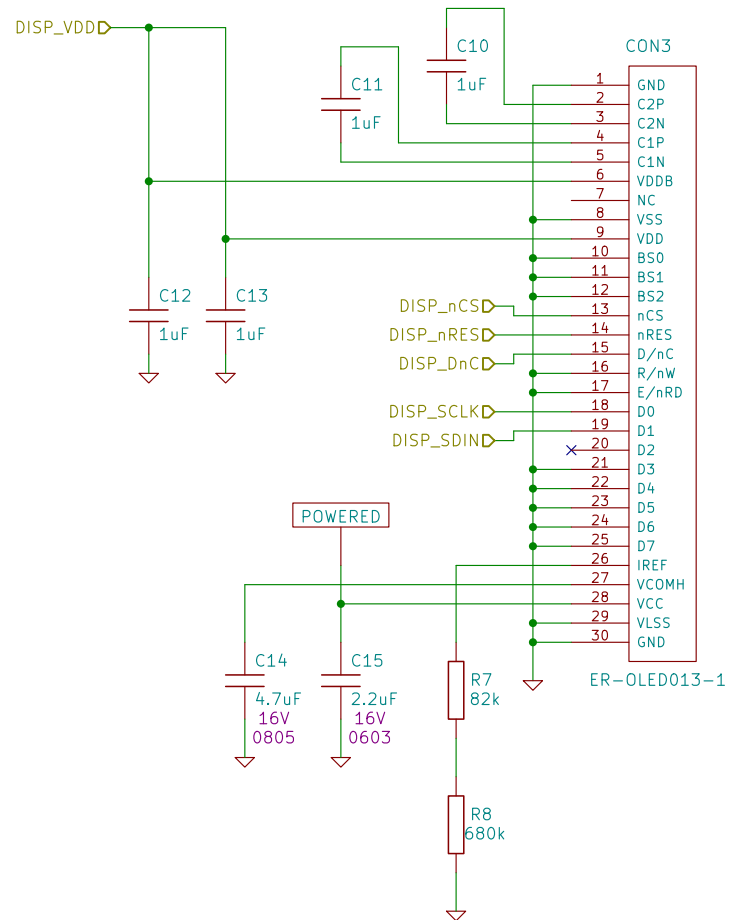
Werner Almesberger	
File: anelok.sch	
Sheet: /	
Title: Anelok Password Safe	
Size: A4	Date: 18 jun 2015
KiCad E.D.A.	Rev: Id: 1/9

Power



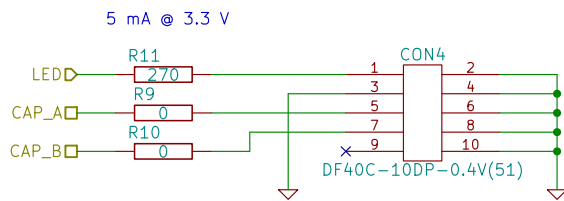
Werner Almesberger	
File: power.sch	
Sheet: /Power/	
Title: Anelok Password Safe	
Size: A4	Date: 18 jun 2015
KiCad E.D.A.	Rev: Id: 2/9

Display

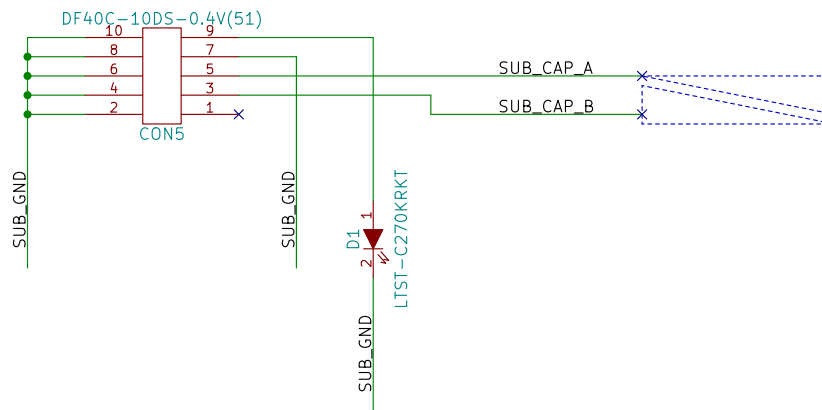


Werner Almesberger	
File: disp.sch	
Sheet: /Display/	
Title: Anelok Password Safe	
Size: A4	Date: 18 jun 2015
KiCad E.D.A.	Rev: Id: 3/9

Sub-board

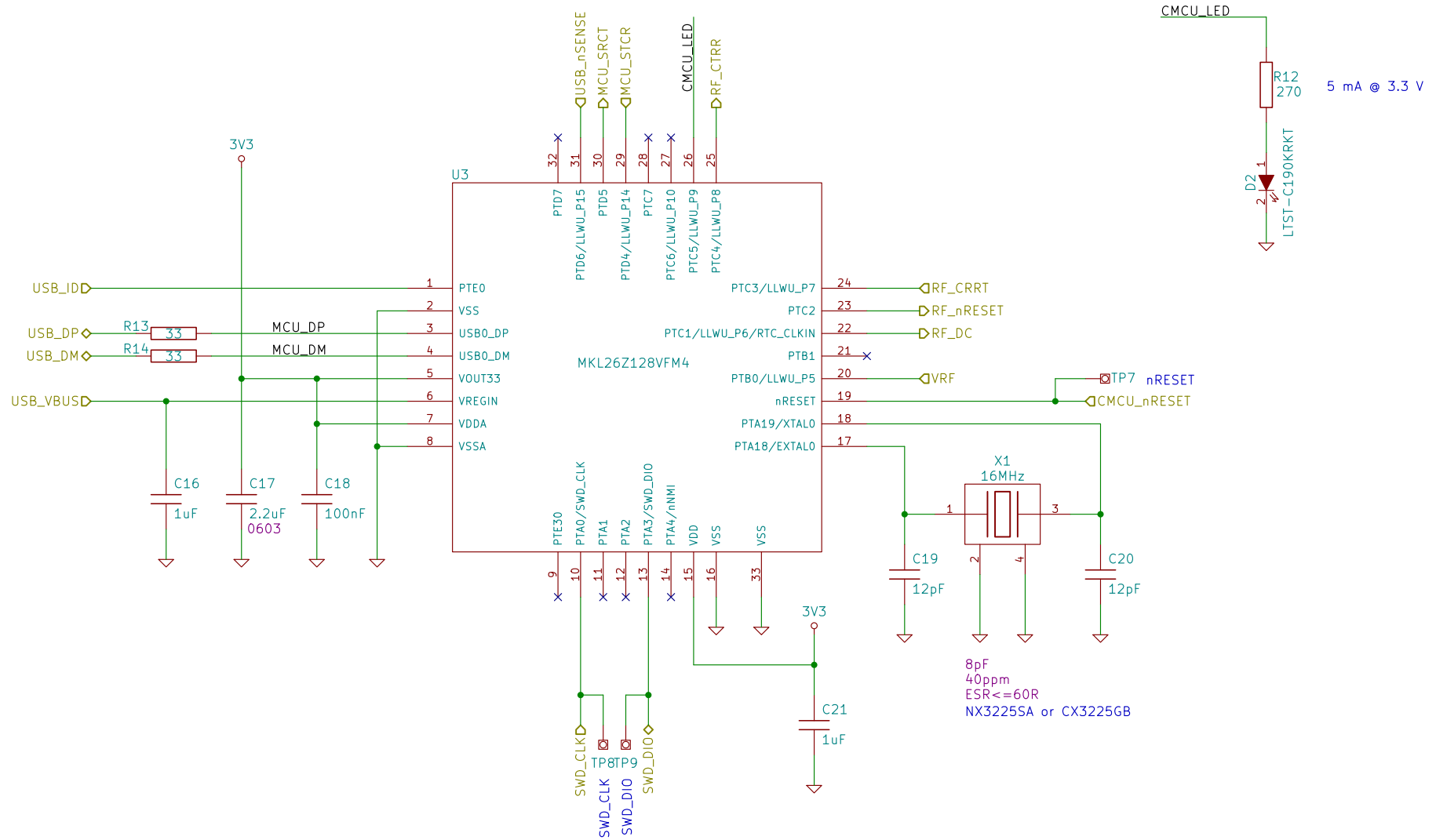


OR resistors are placeholders for beads



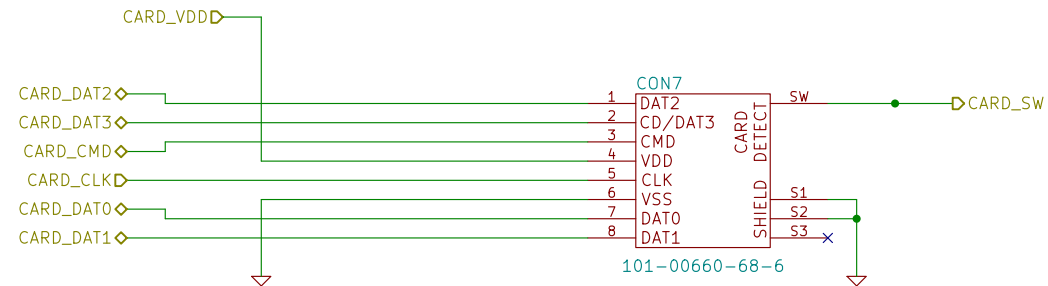
File: sub.sch	
Sheet: /Sub-board/	
Title:	
Size: A4	Date: 18 jun 2015
KiCad E.D.A.	Rev: Id: 4/9

Communications MCU



File: cmcu.sch		Sheet: /cMCU/	
Title:			
Size: A4	Date: 18 jun 2015	Rev:	
KiCad E.D.A.		5	Id: 5/9

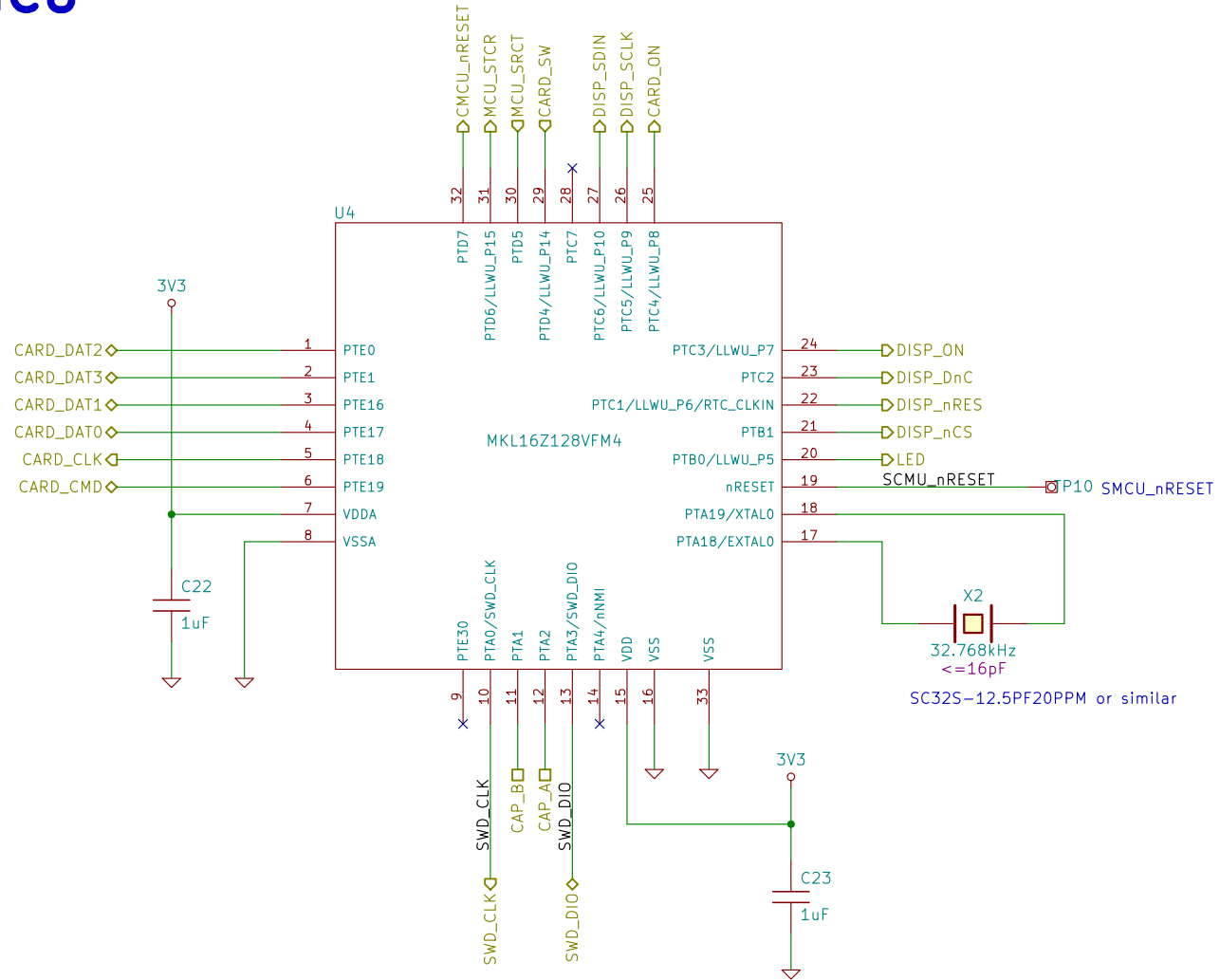
Memory card



CON7	CARD_SW
101-00660-68-6	closes
101-00581-59	opens
693071010811	opens

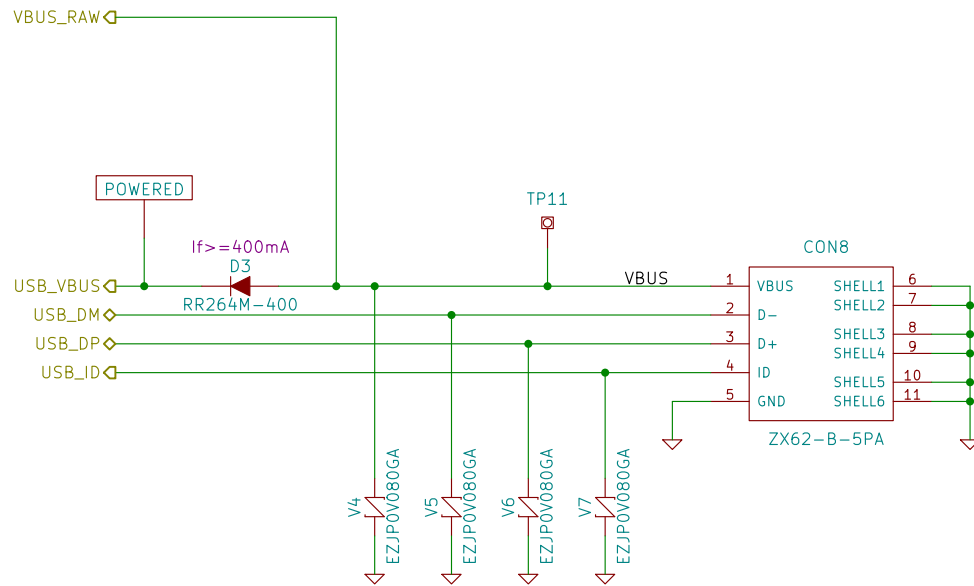
Werner Almesberger	
File: memcard.sch	
Sheet: /Memcard/	
Title: Anelok Password Safe	
Size: A4	Date: 18 jun 2015
KiCad E.D.A.	Rev: Id: 6/9

Secure MCU



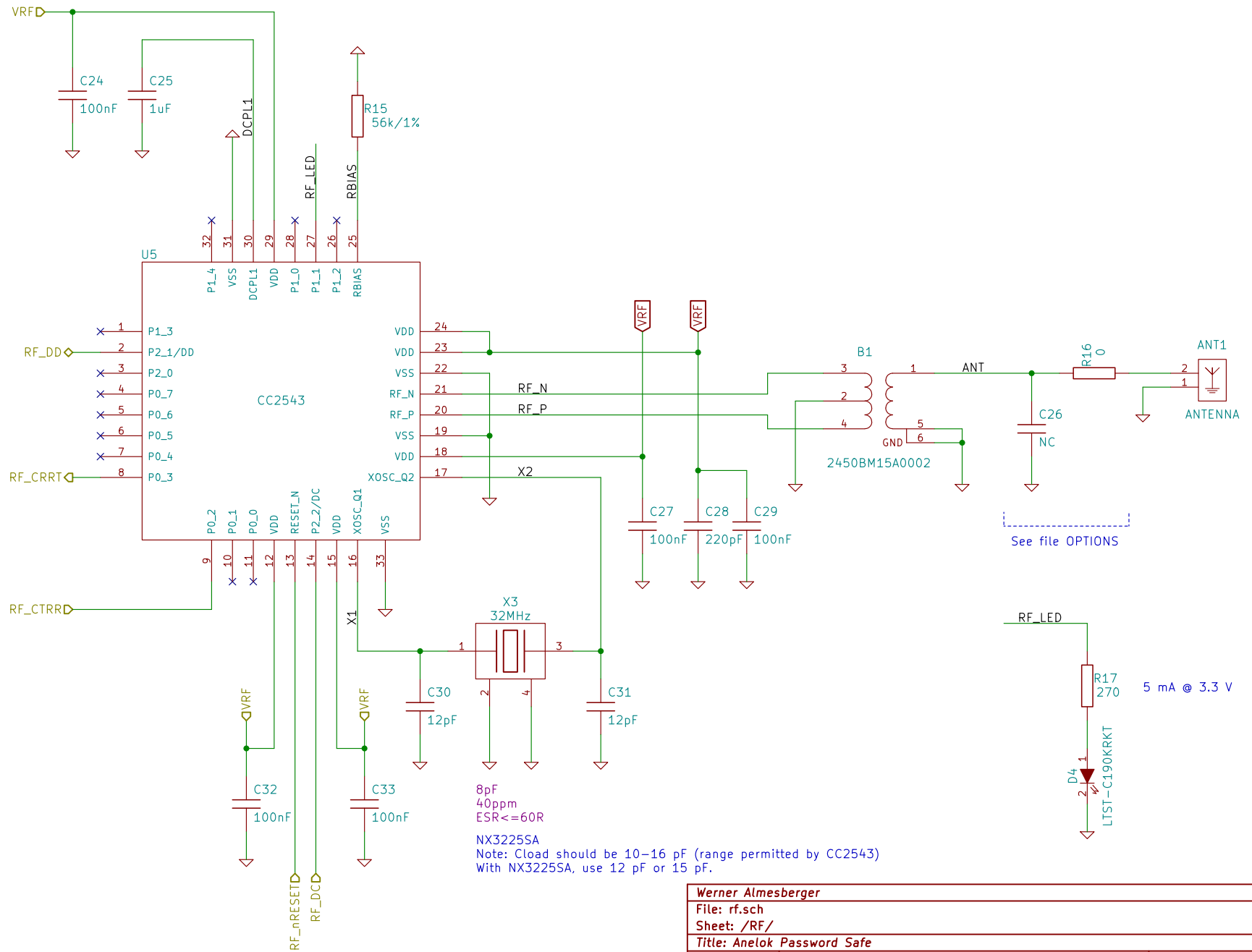
File: smcu.sch		
Sheet: /sMCU/		
Title:		
Size: A4	Date: 18 jun 2015	Rev:
KiCad E.D.A.		Id: 7/9

USB



File: usb.sch	
Sheet: /USB/	
Title:	
Size: A4	Date: 18 jun 2015
KiCad E.D.A.	Rev: Id: 8/9

RF



Werner Almesberger	
File: rf.sch	
Sheet: /RF/	
Title: Anelok Password Safe	
Size: A4	Date: 18 jun 2015
KiCad E.D.A.	Rev: 9/9