

Capacitor selection

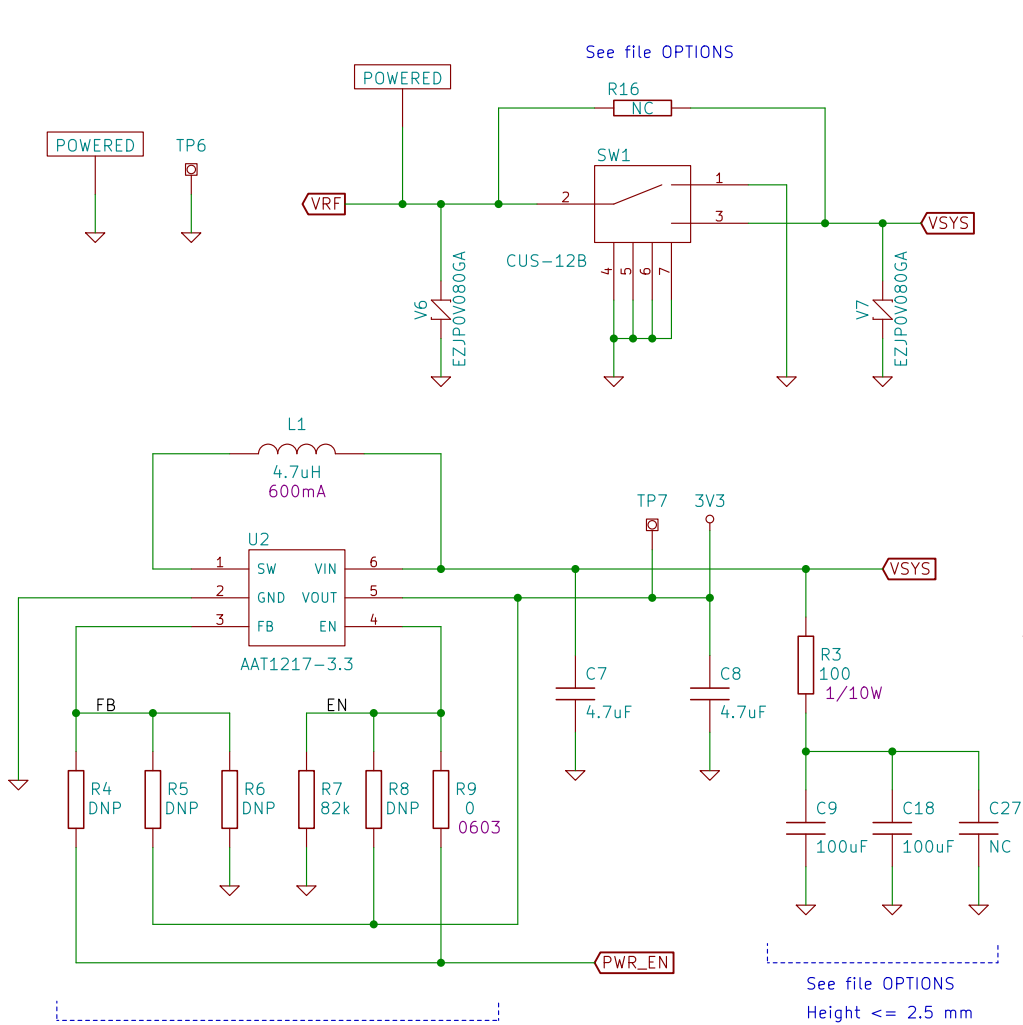
Unless indicated otherwise, all capacitors should be X5R or X6S, or better (X7R, NP0, etc.)

Y5V is cheaper but very sensitive to temperature, ages rapidly, etc.

If no voltage is specified, use ≥ 6.3 V

Werner Almesberger	
File: anelok.sch	
Sheet: /	
Title: Anelok Password Safe	
Size: A4	Date: 6 jan 2015
KiCad E.D.A.	Rev: Id: 1/6

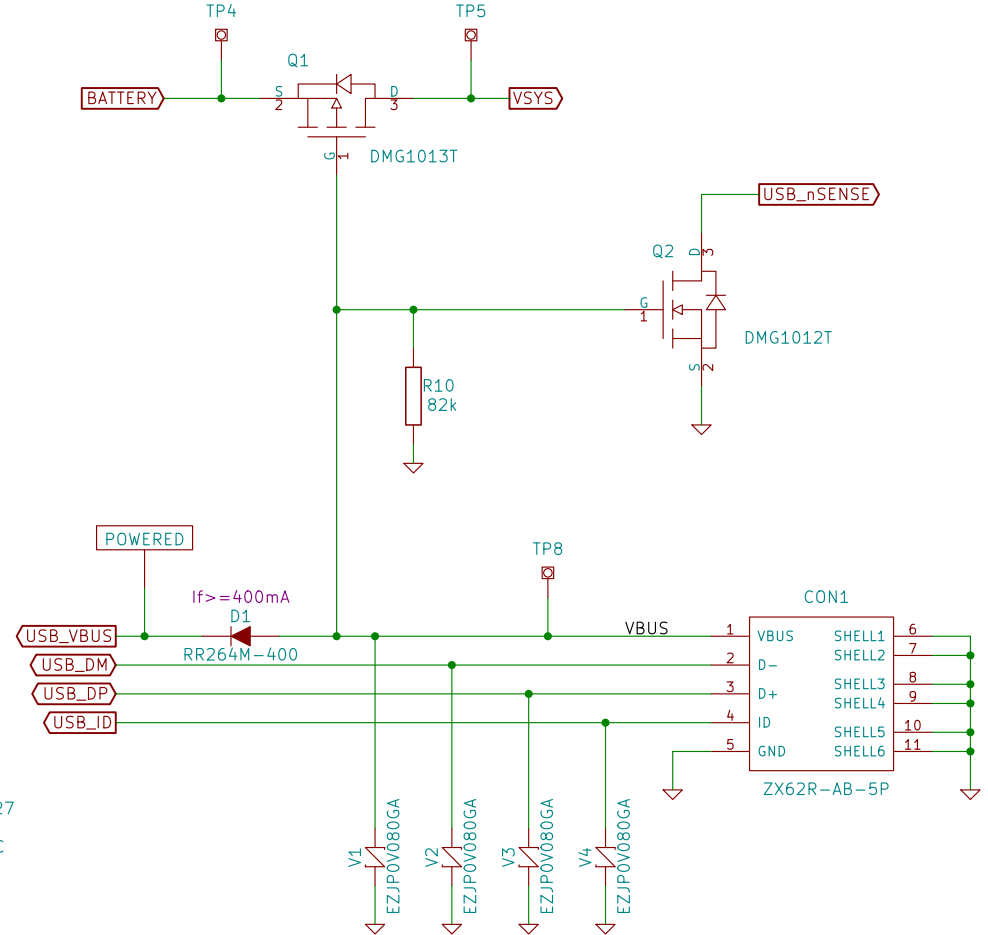
Power + USB



U2	R4	R5	R6	R7	R8	R9	C7	C8
AAT1217-3.3	-	-	-	82k	-	OR	4.7uF	4.7uF
AAT1217-1.2	-	1.02M	604k	82k	-	OR	4.7uF	4.7uF
TLV61220	OR	-	-	180k	1M	-	10uF	10uF

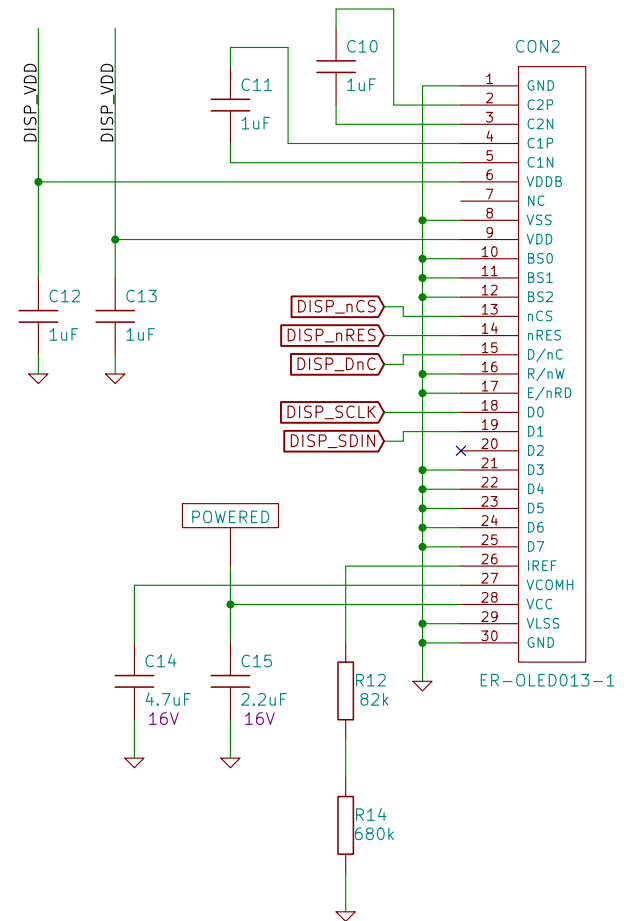
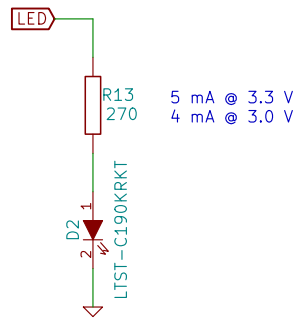
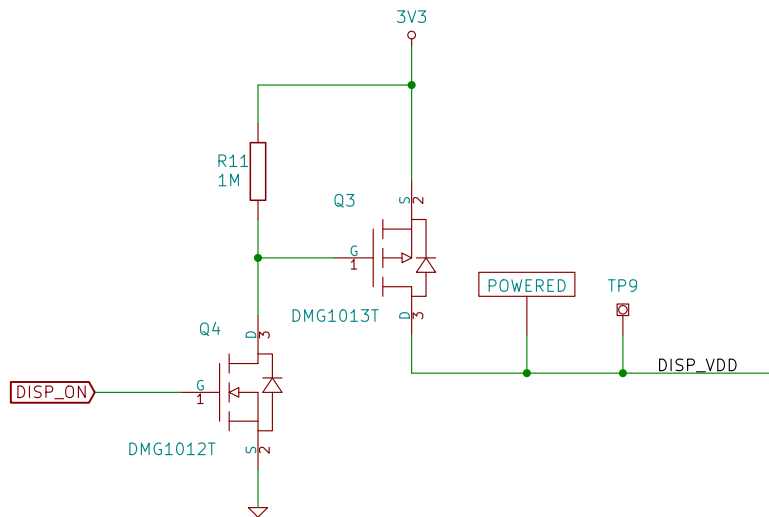
(FB and EN are swapped on TLV61220)

See file OPTIONS



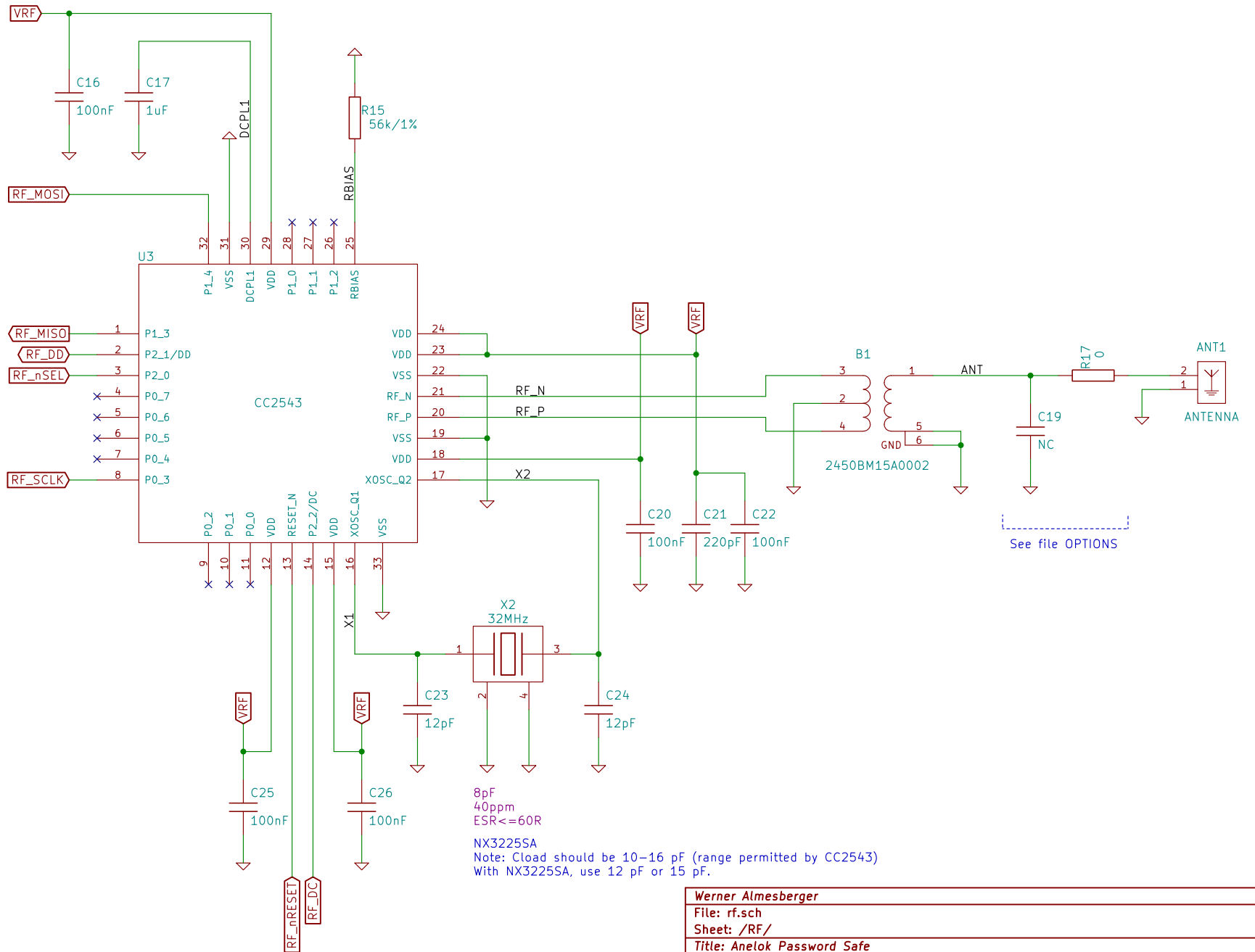
Werner Almesberger	
File: power.sch	
Sheet: /Power+USB/	
Title: Anelok Password Safe	
Size: A4	Date: 6 jan 2015
KiCad E.D.A.	Rev: 2/6

Display



Werner Almesberger	
File: disp.sch	
Sheet: /Display/	
Title: Anelok Password Safe	
Size: A4	Date: 6 jan 2015
KiCad E.D.A.	Rev: 3/6

RF

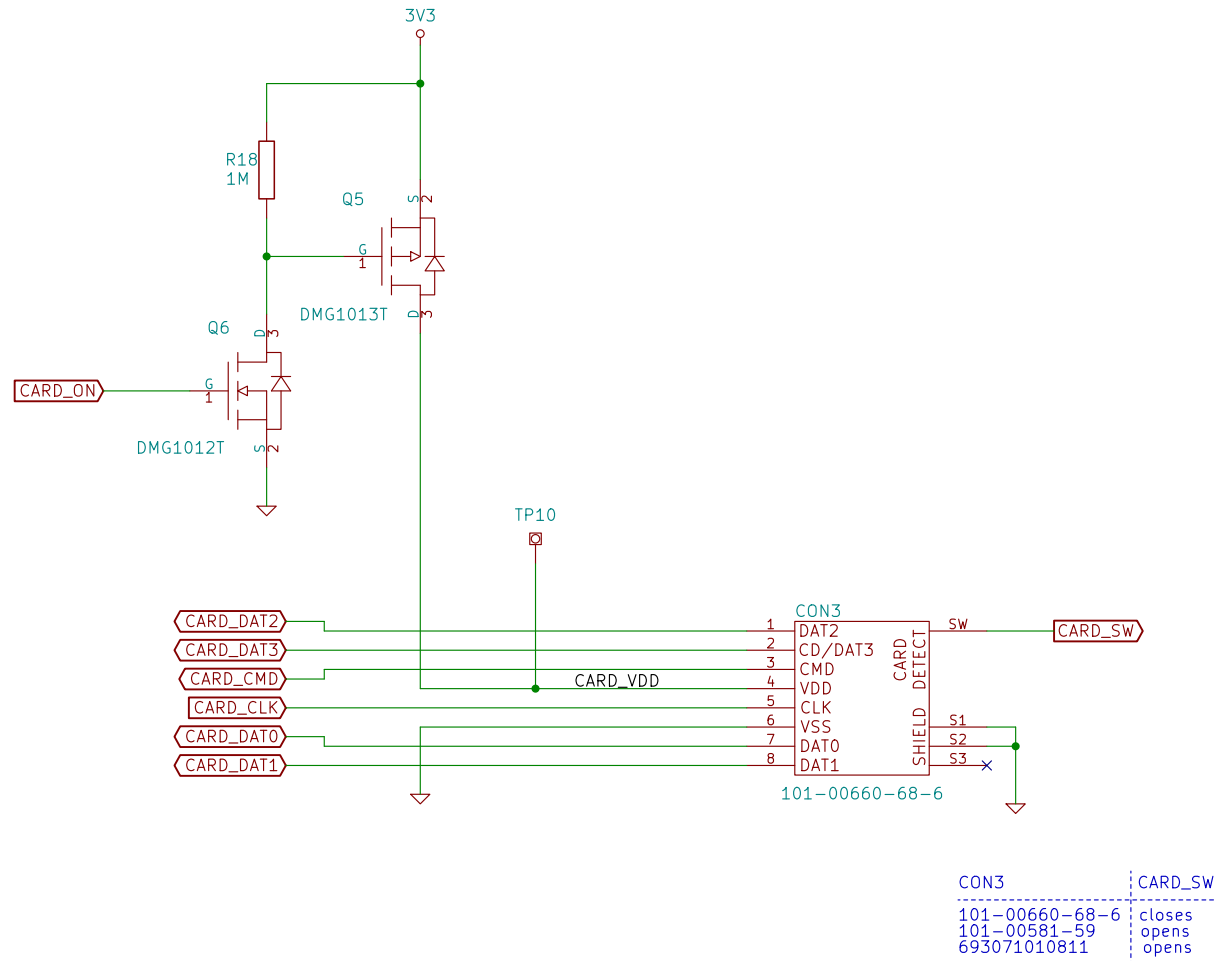


See file OPTIONS

8pF
40ppm
ESR<=60R
NX3225SA
Note: Cload should be 10-16 pF (range permitted by CC2543)
With NX3225SA, use 12 pF or 15 pF.

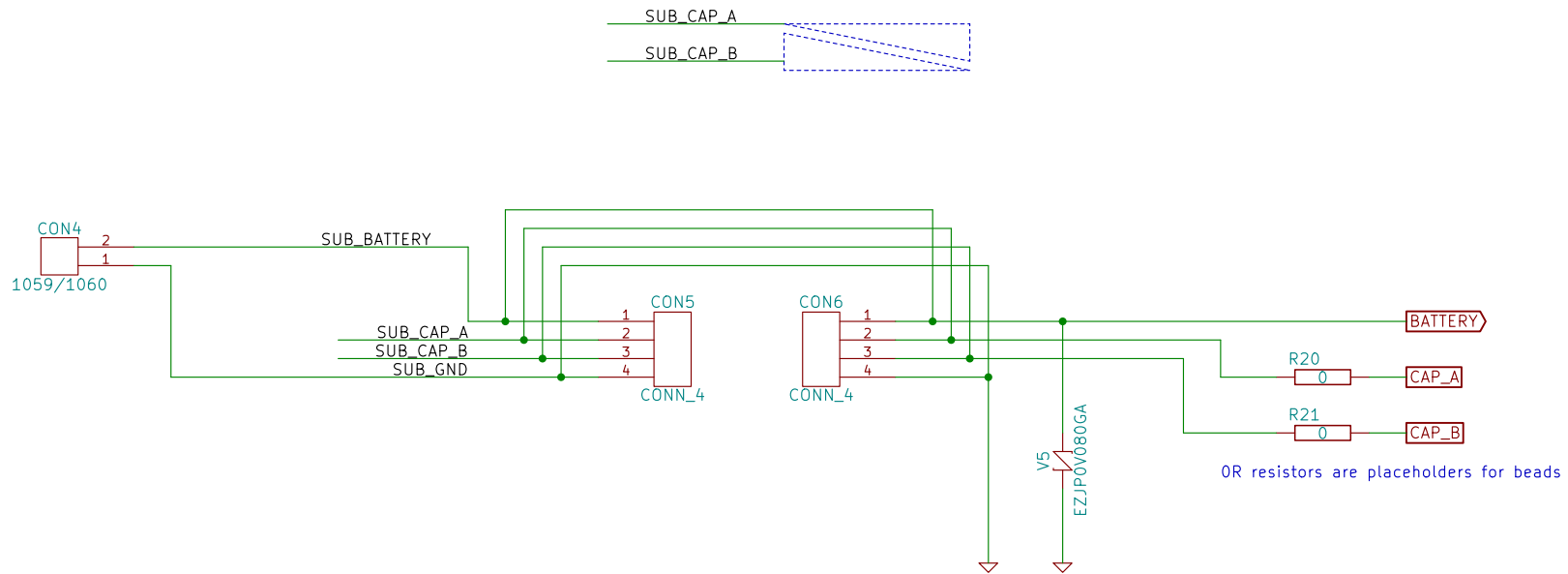
Werner Almesberger	
File: rf.sch	
Sheet: /RF/	
Title: Anelok Password Safe	
Size: A4	Date: 6 jan 2015
KiCad E.D.A.	Rev: Id: 4/6

Memory card



Werner Almesberger	
File: memcard.sch	
Sheet: /Memcard/	
Title: Anelok Password Safe	
Size: A4	Date: 6 jan 2015
KiCad E.D.A.	Rev: Id: 5/6

Sub-board



File: sub.sch	
Sheet: /Sub-board/	
Title:	
Size: A4	Date: 6 jan 2015
KiCad E.D.A.	Rev: 6/6