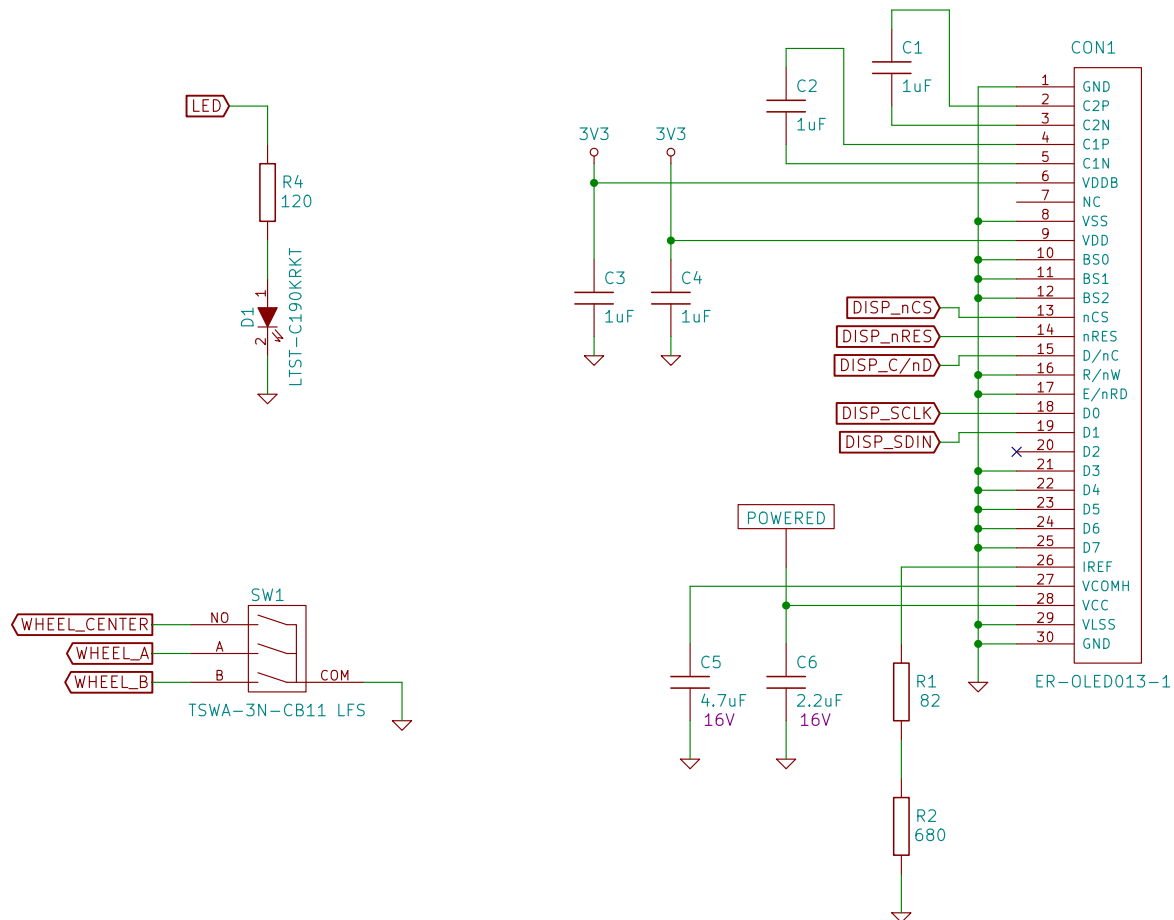


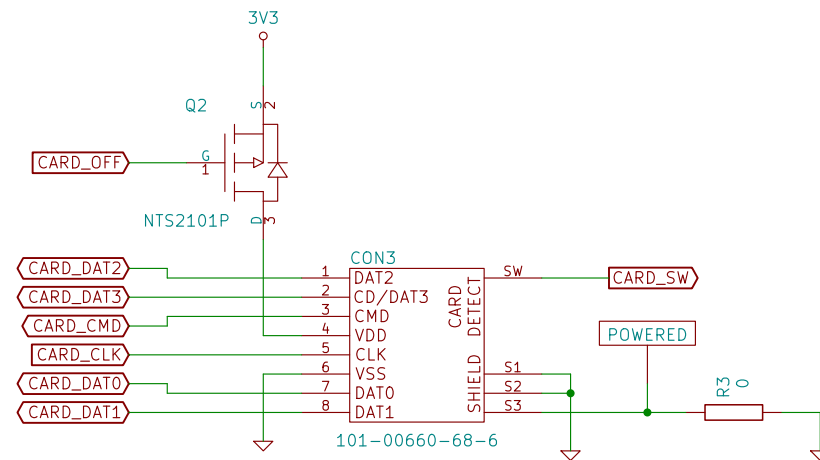
Werner Almesberger	
File: anelok.sch	
Sheet: /	
Title: Anelok Password Safe	
Size: A4	Date: 30 sep 2013
KiCad E.D.A.	Rev: /
	Id: 1/5

User Interface



Werner Almesberger	
File: user.sch	
Sheet: /User Interface/	
Title: Anelok Password Safe	
Size: A4	Date: 30 sep 2013
KiCad E.D.A.	Rev: Id: 2/5

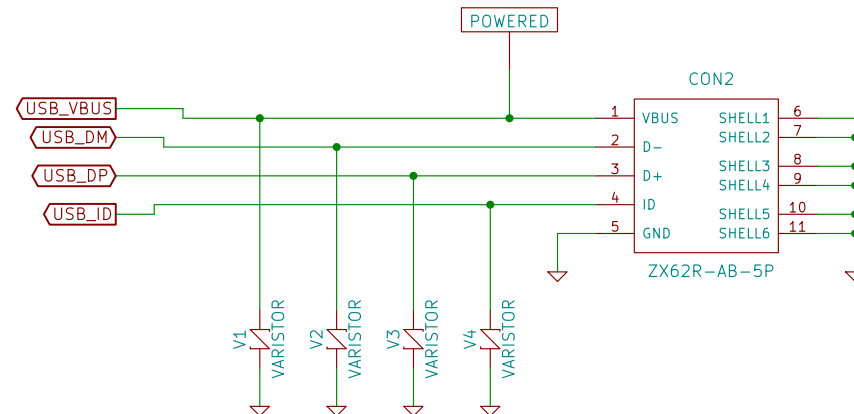
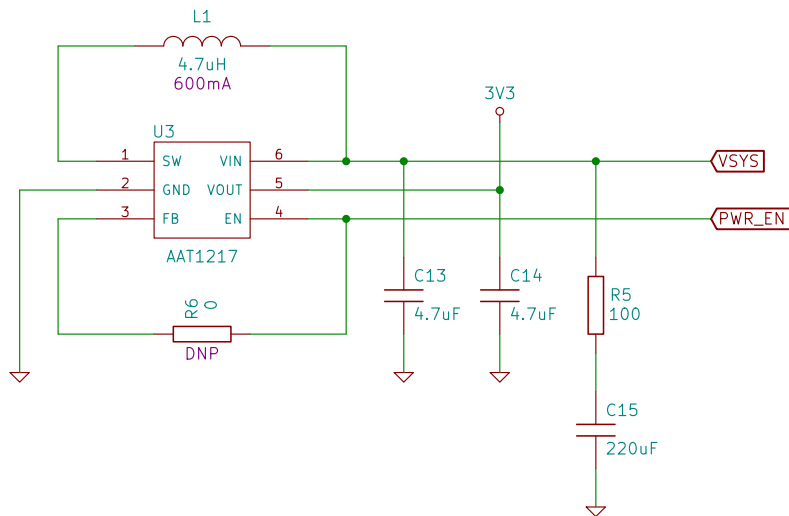
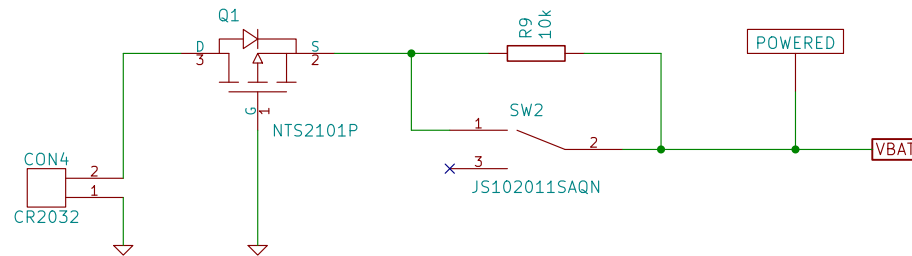
Memory card



Werner Almesberger	
File: memcard.sch	
Sheet: /Memcard/	
Title: Anelok Password Safe	
Size: A4	Date: 30 sep 2013
KiCad E.D.A.	Rev: Id: 4/5

Power + USB

Determine exact value of R9 by measurement.
 Must be high enough to not allow transceiver to send/receive.
 Must be low enough to supply sleeping MCU with RTC.



Werner Almesberger	
File: power.sch	
Sheet: /Power+USB/	
Title: Anelok Password Safe	
Size: A4	Date: 30 sep 2013
KiCad E.D.A.	Rev: Id: 5/5