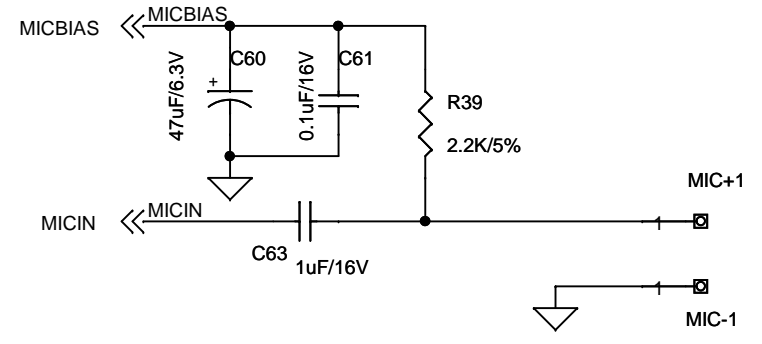
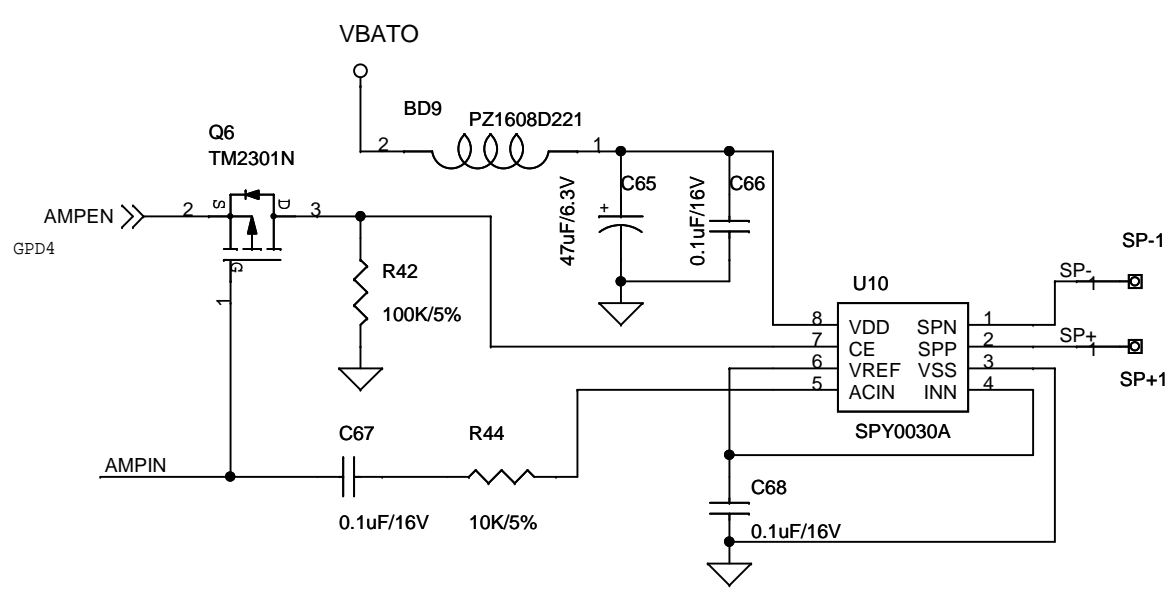
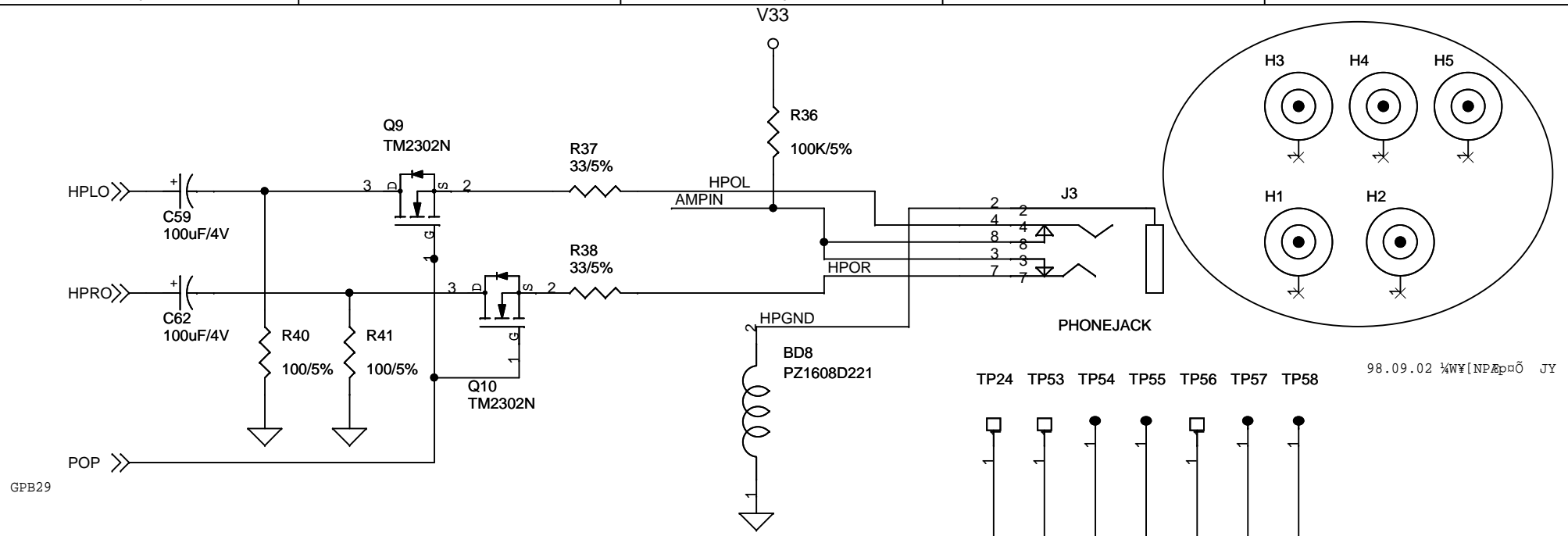


File	<Title>	Rev	<Rev Code>
Size	Document Number		
C	<Doc>		
Date:	Tuesday, September 01, 2009	Sheet	1 of 1



Title		
<Title>		
Size	Document Number	Rev
A	<Doc>	<Rev Co
Date:	Tuesday, September 01, 2009	Sheet 1 of 1

