

High-precision Low Voltage Detector

Outline:

BL8506 is a series of high precision voltage detector with ultra low current consumption (500nA typ. at V_{DD}=3.0V). It can work at very low voltage, which makes it perfect for system reset.

BL8506 is composed of high precision voltage reference, comparator, output driver and resistor array. Internally preset detect voltage has a low temperature drift and requires no external trimming.

Two type of output, CMOS and N-channel open-drain are available.

BL8506 is available in SOT-89-3, SOT-23-3 TO92, SOT23-5 packages which is Pb free.

Features :

- High-precision detection Voltage : $\pm 2\%$
- Detection Voltage : 0.9V~6.0V (in 0.1V steps)
- Precise hysteresis : 4% typ.
- Operating Voltage range : 0.7V~10V
- Ultra-low current consumption : 500nA typ. (at V_{DD} = 3.0V)
- Two Output forms : CMOS and N-channel open-drain

Application :

- Power monitor for portable equipment such as PDA, DSC, Mobile phone, Notebook, MP3
- CPU and Logic Circuit Reset
- Battery Checker
- Battery Back-up Circuit
- Power Failure Detector

Selection Guide :

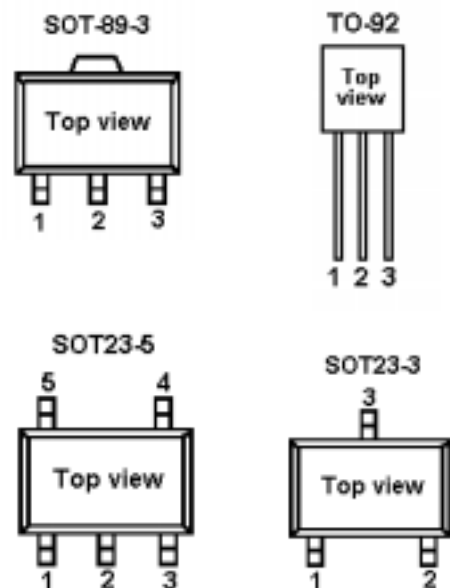
BL8506-**XX** **X** **XX**

Package Type :
RM : SOT-23-3
RN : SOT-23-5
SM : SOT-89-3
T : TO-92
(Default, Pb Free)

Output Type :
N : Nch Open-drain
C : CMOS

Detector Voltage :
09.....0.9V
30.....3.0V
.....
50.....5.0V
60.....6.0V

Pin Assignment :



Pin Description:

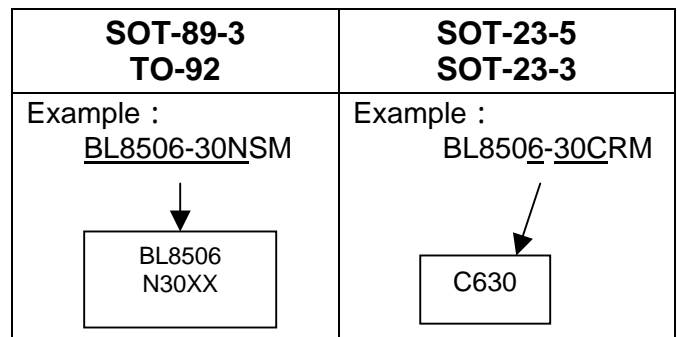
PIN Number				PIN Name	Function
SOT-89-3	TO-92	SOT-23-3	SOT-23-5		
1	3	1	1	VOUT	Voltage detection output Pin
2	1	3	2	VDD	Voltage input Pin
3	2	2	3	Vss	GND Pin
-	-	-	4	NC	No connection
-	-	-	5	NC	No connection

Product Classification:

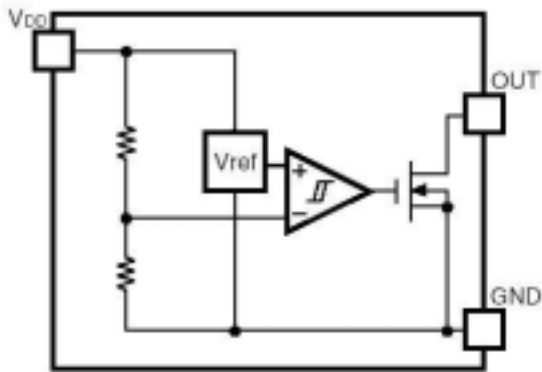
Product Name	Detector Voltage	Output Type	Package
BL8506-XXNRM	XX V	Nch Open-Drain	SOT-23-3
BL8506-XXNRN	XX V	Nch Open-Drain	SOT-23-5
BL8506-XXNSM	XX V	Nch Open-Drain	SOT-89-3
BL8506-XXNT	XX V	Nch Open-Drain	TO-92
BL8506-XXCRM	XX V	CMOS	SOT-23-3
BL8506-XXCRN	XX V	CMOS	SOT-23-5
BL8506-XXCSM	XX V	CMOS	SOT-89-3
BL8506-XXCT	XX V	CMOS	TO-92

Product Mark Information:

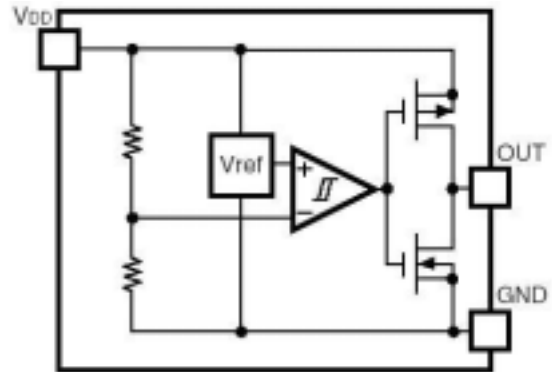
Product NO.	Mark
BL8506-09CSM	BL8506-09C
BL8506-20CT	BL8506-20C
BL8506-27CSM	BL8506-27C
BL8506-30CT	BL8506-30C
.....
BL8506-09NRM	N609
BL8506-21NRN	N621
BL8506-27CRM	C627
BL8506-30CRM	C630
.....



Block diagram:



N channel open-drain



CMOS output

Absolute Maximum Ratings :

Input Voltage range	-----	-0.3V~12V
Output Voltage range	-----	-0.3V~12V
Maximum Output current	-----	70mA
Maximum power dissipation	-----	150mW
Ambient temperature	-----	-40~+70°C
Storage temperature	-----	-40~125°C
Lead temperature and time	-----	260°C,10S

Recommended Work Conditions :

Item	Min	Recommended	Max	unit
Input Voltage range	0.7		10	V
Ambient temperature	-40	25	70	

Electrical Characteristics :

- BL8506-09C/NXX (0.9V) (Topt = 25 ,Unless otherwise specified.)

Symbol	Parameter	Conditions	Reference data			Unit
			Min.	Typ.	Max.	
-VDET	Detector Threshold		0.882	0.9	0.918	V
VHYS	Detector Threshold Hysteresis		0.018	0.036	0.054	V
I _{SS}	Current consumption	V _{DD} =2.9V		1	1.5	uA
V _{DDH}	Maximum operating voltage				10	V
V _{DDL}	Minimum Operating voltage			0.5		V
I _{OUT}	Output current	Nch V _{DS} =0.05V , V _{DD} =0.7V V _{DS} =0.50V , V _{DD} =0.8V	0.01 0.05	0.05 0.50		mA

		Pch V _{DS} =-2.1V , V _{DD} =4.50V	1.0	2.0		mA
TPLH	Output Delay Time				20	uS

- BL8506-27C/NXX (2.7V) (T_{opt} = 25 ,Unless otherwise specified.)

Symbol	Parameter	Conditions	Reference data			Unit
			Min.	Typ.	Max.	
-V _{DET}	Detector Threshold		2.646	2.7	2.754	V
V _{HYS}	Detector Threshold Hysteresis		0.054	0.108	0.162	V
I _{SS}	Current consumption	V _{DD} =4.7V		0.5	1	uA
V _{DDH}	Maximum operating voltage				10	V
V _{DDL}	Minimum Operating voltage			0.5		V
I _{OUT}	Output current	Nch V _{DS} =0.05V , V _{DD} =0.70V	0.01	0.05		mA
		Pch V _{DS} =-2.1V , V _{DD} =4.50V	1.0	2.0		mA
TPLH	Output Delay Time				20	uS

- BL8506-30C/NXX (3.0V) (T_{opt} = 25 ,Unless otherwise specified.)

Symbol	Parameter	Conditions	Reference data			Unit
			Min.	Typ.	Max.	
-V _{DET}	Detector Threshold		2.94	3.0	3.06	V
V _{HYS}	Detector Threshold Hysteresis		0.060	0.12	0.18	V
I _{SS}	Current consumption	V _{DD} =5.0V		0.5	1	uA
V _{DDH}	Maximum operating voltage				10	V
V _{DDL}	Minimum Operating voltage			0.5		V
I _{OUT}	Output current	Nch V _{DS} =0.05V , V _{DD} =0.7V	0.01	0.05		mA
		Pch V _{DS} =-2.1V , V _{DD} =4.50V	1.0	2.0		mA
TPLH	Output Delay Time				20	uS

- BL8506-34C/NXX (3.4V) (T_{opt} = 25 ,Unless otherwise specified.)

Symbol	Parameter	Conditions	Reference data			Unit
			Min.	Typ.	Max.	
-V _{DET}	Detector Threshold		3.332	3.4	3.468	V
V _{HYS}	Detector Threshold		0.068	0.136	0.204	V

Hysteresis						
I _{SS}	Current consumption	V _{DD} =5.0V		0.5	1	uA
V _{DDH}	Maximum operating voltage				10	V
V _{DDL}	Minimum Operating voltage			0.5		V
I _{OUT}	Output current	Nch V _{DS} =0.05V , V _{DD} =0.7V	0.01	0.05		mA
		Pch V _{DS} =-2.1V , V _{DD} =4.50V	1.0	2.0		mA
T _{PLH}	Output Delay Time				20	uS

- BL8506-44C/NXX (4.4V) (T_{opt} = 25 , Unless otherwise specified.)

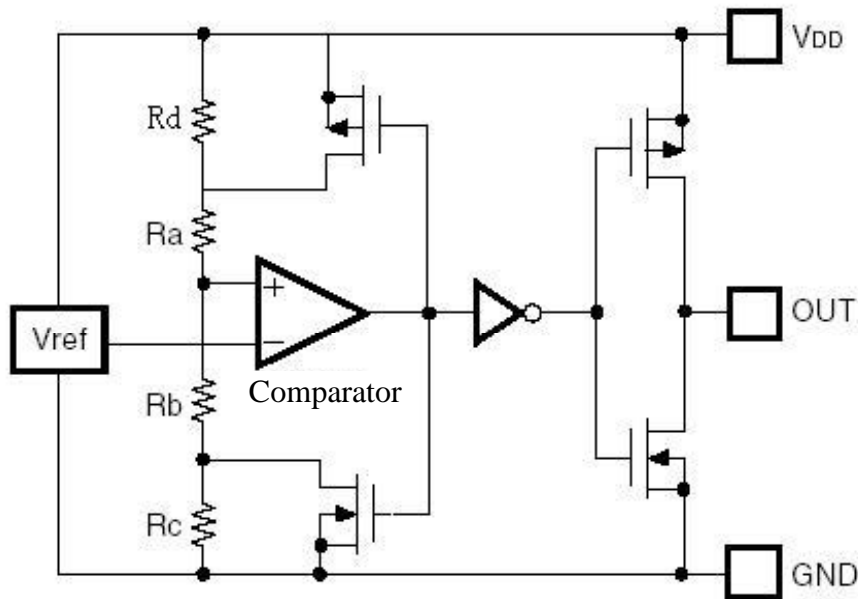
Symbol	Parameter	Conditions	Reference data			Unit
			Min.	Typ.	Max.	
-V _{DET}	Detector Threshold		4.312	4.4	4.488	V
V _{HYS}	Detector Threshold Hysteresis		0.088	0.176	0.264	V
I _{SS}	Current consumption	V _{DD} =6.4V		0.5	1	uA
V _{DDH}	Maximum operating voltage				10	V
V _{DDL}	Minimum Operating voltage			0.5		V
I _{OUT}	Output current	Nch V _{DS} =0.05V , V _{DD} =0.7V	0.01	0.05		mA
		Pch V _{DS} =-2.1V , V _{DD} =8.0V	1.5	3.0		mA
T _{PLH}	Output Delay Time				20	uS

Electrical Characteristics By Detector Threshold

Part Number	Detector Threshold			Detector Threshold Hysteresis			Supply Current1			Supply Current2		
	-Vdet[V]			Vhys[V]			Iss1[uA]			Iss2[uA]		
	Min.	Typ.	Max.	Min.	Typ.	Max.	Condition	Typ.	Max.	Condition	Typ.	Max.
BL8506-09XXX	0.882	0.900	0.918	0.018	0.036	0.054	Vdd= (-Vdet) +0.1V	0.5	1.0	Vdd= (-Vdet) +2V	1.0	1.5
BL8506-10XXX	0.980	1.000	1.020	0.020	0.040	0.060						
BL8506-11XXX	1.078	1.100	1.122	0.022	0.044	0.066						
BL8506-12XXX	1.176	1.200	1.224	0.024	0.048	0.072						
BL8506-13XXX	1.274	1.300	1.326	0.026	0.052	0.078						
BL8506-14XXX	1.372	1.400	1.428	0.028	0.056	0.084						
BL8506-15XXX	1.470	1.500	1.530	0.030	0.060	0.090						
BL8506-16XXX	1.568	1.600	1.632	0.032	0.064	0.096						
BL8506-17XXX	1.666	1.700	1.734	0.034	0.068	0.102						
BL8506-18XXX	1.764	1.800	1.836	0.036	0.072	0.108						
BL8506-19XXX	1.862	1.900	1.938	0.038	0.076	0.114						
BL8506-20XXX	1.960	2.000	2.040	0.040	0.080	0.120						
BL8506-21XXX	2.058	2.100	2.142	0.042	0.084	0.126						
BL8506-22XXX	2.156	2.200	2.244	0.044	0.088	0.132						
BL8506-23XXX	2.254	2.300	2.346	0.046	0.092	0.138						
BL8506-24XXX	2.352	2.400	2.448	0.048	0.096	0.144						
BL8506-25XXX	2.450	2.500	2.550	0.050	0.100	0.150						
BL8506-26XXX	2.548	2.600	2.652	0.052	0.104	0.156						
BL8506-27XXX	2.646	2.700	2.754	0.054	0.108	0.162						
BL8506-28XXX	2.744	2.800	2.856	0.056	0.112	0.168						
BL8506-29XXX	2.842	2.900	2.958	0.058	0.116	0.174						
BL8506-30XXX	2.940	3.000	3.060	0.060	0.120	0.180						
BL8506-31XXX	3.038	3.100	3.162	0.062	0.124	0.186						
BL8506-32XXX	3.136	3.200	3.264	0.064	0.128	0.192						
BL8506-33XXX	3.234	3.300	3.366	0.066	0.132	0.198						
BL8506-34XXX	3.332	3.400	3.468	0.068	0.136	0.204						
BL8506-35XXX	3.430	3.500	3.570	0.070	0.140	0.210						
BL8506-36XXX	3.528	3.600	3.672	0.072	0.144	0.216						
BL8506-37XXX	3.626	3.700	3.774	0.074	0.148	0.222						
BL8506-38XXX	3.724	3.800	3.876	0.076	0.152	0.228						
BL8506-39XXX	3.822	3.900	3.978	0.078	0.156	0.234						
BL8506-40XXX	3.920	4.000	4.080	0.080	0.160	0.240						
BL8506-41XXX	4.018	4.100	4.182	0.082	0.164	0.246						
BL8506-42XXX	4.116	4.200	4.284	0.084	0.168	0.252						
BL8506-43XXX	4.214	4.300	4.386	0.086	0.172	0.258						
BL8506-44XXX	4.312	4.400	4.488	0.088	0.176	0.264						
BL8506-45XXX	4.410	4.500	4.590	0.090	0.180	0.270						
BL8506-46XXX	4.508	4.600	4.692	0.092	0.184	0.276						
BL8506-47XXX	4.606	4.700	4.794	0.094	0.188	0.282						
BL8506-48XXX	4.704	4.800	4.896	0.096	0.192	0.288						
BL8506-49XXX	4.802	4.900	4.998	0.098	0.196	0.294						
BL8506-50XXX	4.900	5.000	5.100	0.100	0.200	0.300						
BL8506-51XXX	4.998	5.100	5.202	0.102	0.204	0.306						
BL8506-52XXX	5.096	5.200	5.304	0.104	0.208	0.312						
BL8506-53XXX	5.194	5.300	5.406	0.106	0.212	0.318						
BL8506-54XXX	5.292	5.400	5.508	0.108	0.216	0.324						
BL8506-55XXX	5.390	5.500	5.610	0.110	0.220	0.330						
BL8506-56XXX	5.488	5.600	5.712	0.112	0.224	0.336						
BL8506-57XXX	5.586	5.700	5.814	0.114	0.228	0.342						
BL8506-58XXX	5.684	5.800	5.916	0.116	0.232	0.348						
BL8506-59XXX	5.782	5.900	6.018	0.118	0.236	0.354						
BL8506-60XXX	5.880	6.000	6.120	0.120	0.240	0.360						

Output Current1			Output Current2				Output Delay Time	Minimum Operating Voltage			Detector Threshold Temperature Coefficient	
Iout1[mA]			Iout2[mA]				TPLH[us]	VDDL[V]			$\Delta-V_{DET}/\Delta T$ ppm/°C	
Condition	Min.	Typ.	Condition		Min.	Typ.	Max.	Typ.	Max.	Condition	Typ.	
NCH, $V_{DS}=0.05V,$ $V_{DD}=0.7V$	0.01	0.05	NCH, $V_{DS}=0.5V$	Vdd=0.85V	0.1	0.5	20	0.5	0.7	$-40^{\circ}C \leq$ T_{opt} $\leq 85^{\circ}C$	± 100	
				Vdd=1.0V	0.2	1.0						
				$V_{DD}=1.5V$	1.0	2.0						

Function description:



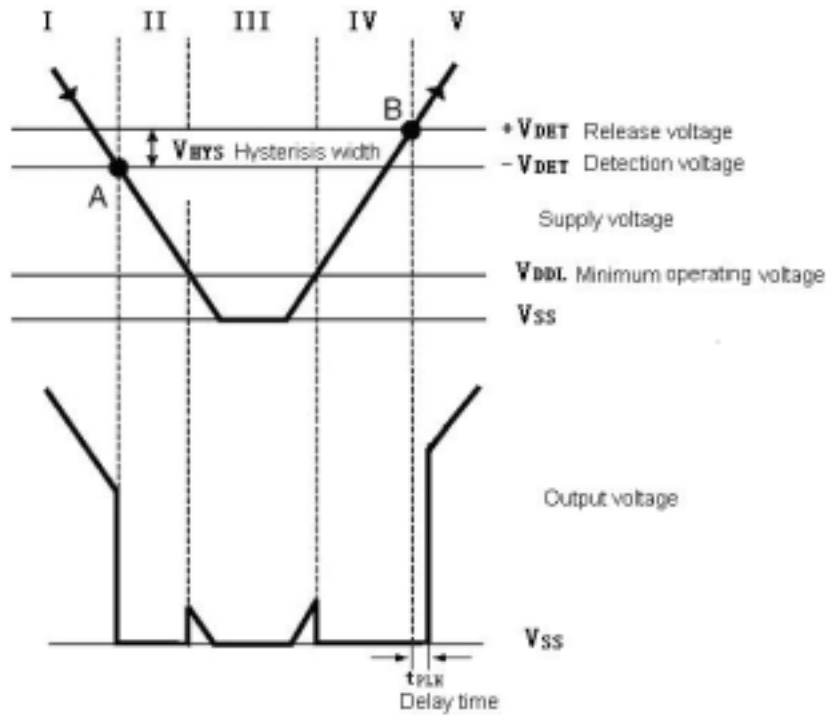
High precision low temperature co-efficiency reference voltage is applied to the negative input of a comparator. Input voltage, divided by resistor array of Ra Rb and Rc, is applied to the positive input of the comparator. Output of the comparator controls a pair of NMOS and PMOS switches, generating the hysteresis. Output of the comparator passes a series of buffer to drive the output CMOS pair.

+ V_{DET} , - V_{DET} , V_{HYS} can be calculated as follows:

$$- V_{DET} = V_{REF} * (1 + Ra / (Rb + Rc))$$

$$+ V_{DET} = V_{REF} * (1 + (Ra + Rd) / Rb) = V_{REF} * (1 + (Ra + Rc) / Rb)$$

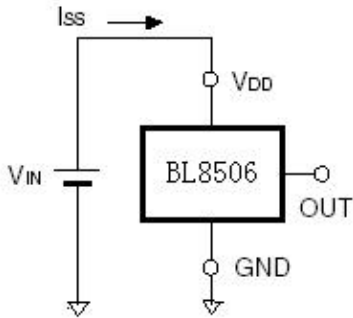
$$V_{HYS} = + V_{DET} - (- V_{DET}) = V_{REF} * (Ra + Rb + Rc) (1 / Rb - 1 / (Rb + Rc))$$



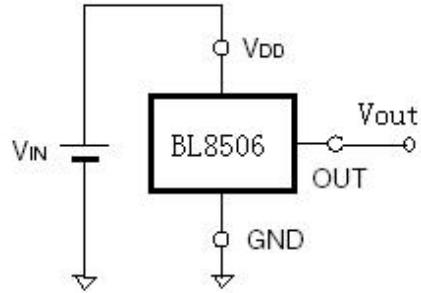
No.	Operation status	Output status
I	$V_{DD} > -V_{DET}$	Output voltage is equal to the supply voltage
II	V_{DD} drops below $-V_{DET}$	Output voltage equals to GND level
III	V_{DD} drops further below V_{DDL}	Output voltage is undefined
IV	V_{DD} rises above V_{DDL}	Output voltage equals to GND level
V	V_{DD} rises above $+V_{DET}$	Output voltage equals to supply voltage , $V_{HYS} = (+V_{DET}) - (-V_{DET})$

Test circuits :

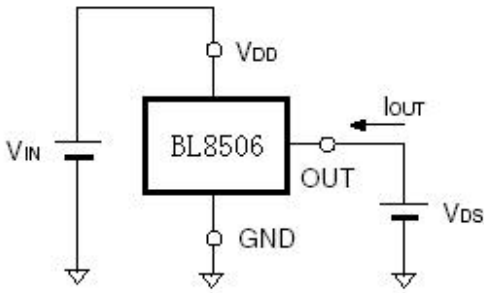
(1) Supply current test circuit



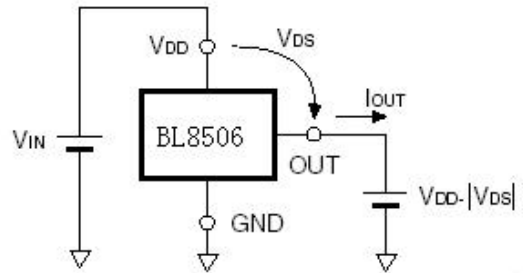
(2) Detector threshold test circuit



(3) NCH Drive Output Current Test Circuit



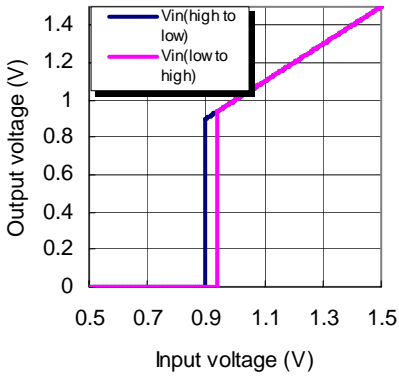
(4) PCH Drive Output Current Test Circuit



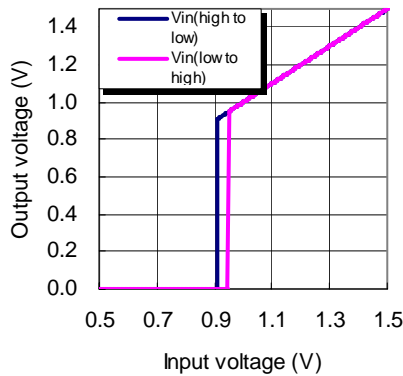
Typical Performance Characteristics :

1) Output voltage VS. Input voltage

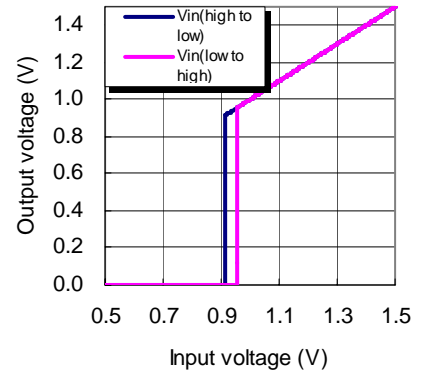
Detector threshold= 0.9V
(-40°C)



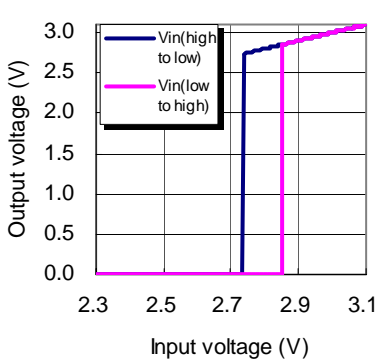
Detector threshold= 0.9V
(25°C)



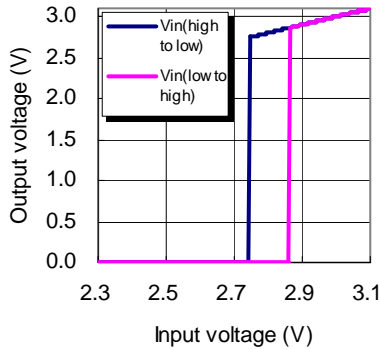
Detector threshold= 0.9V
(70°C)



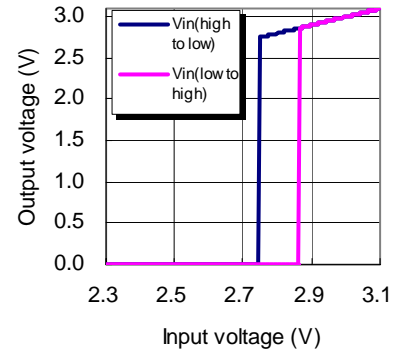
Detector threshold=2.7V (-40°C)



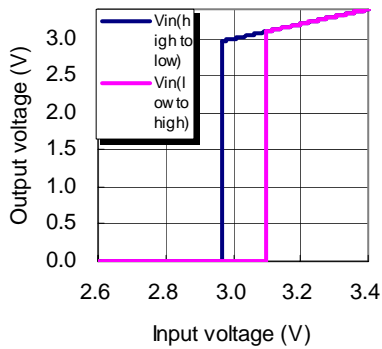
Detector threshold=2.7V (25°C)



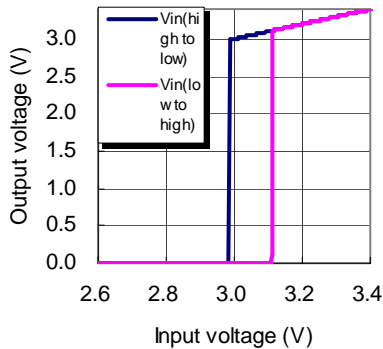
Detector threshold=2.7V (70°C)



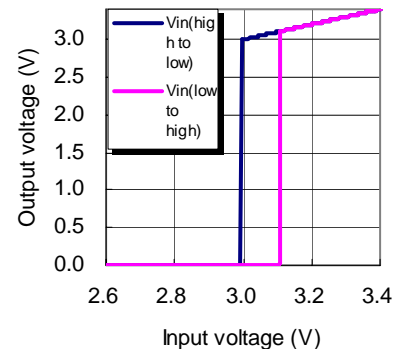
Detector threshold=3.0V (-40°C)



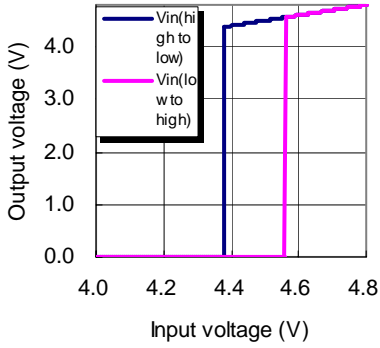
Detector threshold=3.0V (25°C)



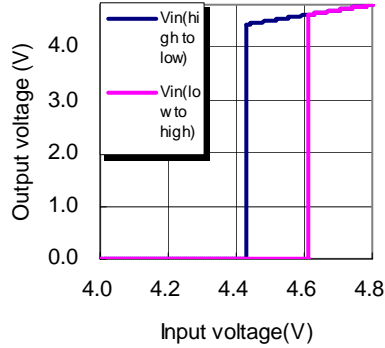
Detector threshold=3.0V (70°C)



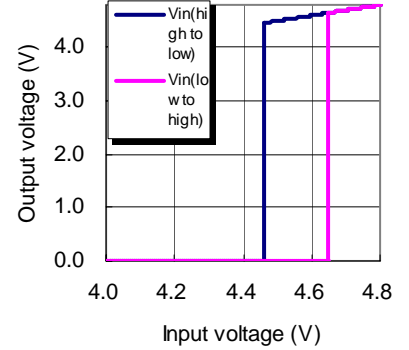
Detector threshold=4.4V (-40°C)



Detector threshold=4.4V (25°C)

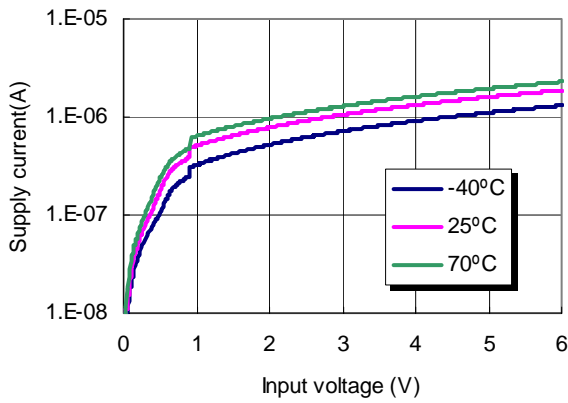


Detector threshold=4.4V (70°C)

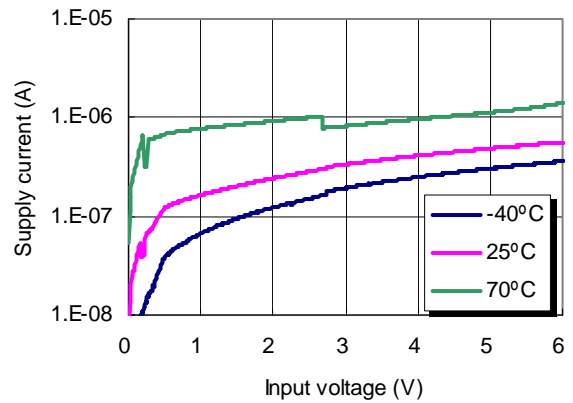


2) Supply current VS. Input voltage

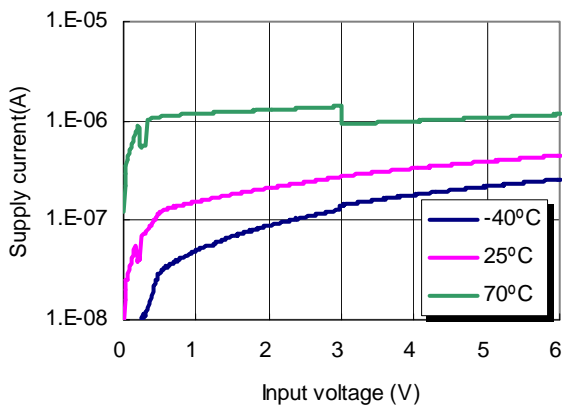
Detector threshold= 0.9V



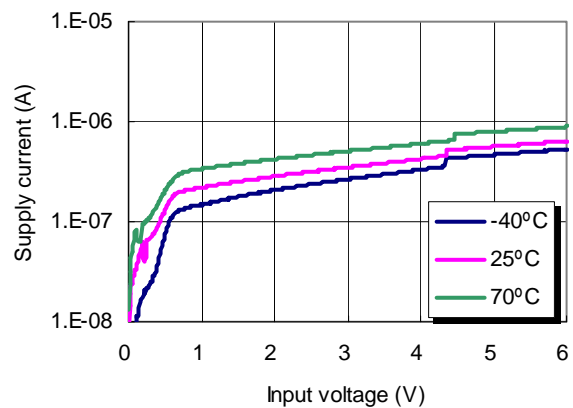
Detector threshold=2.7V



Detector threshold=3.0V

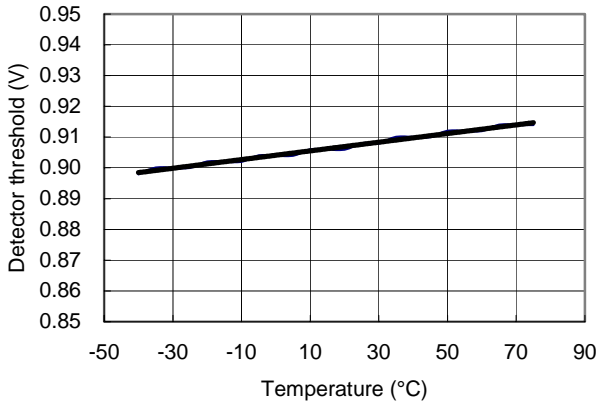


Detector threshold=4.4V

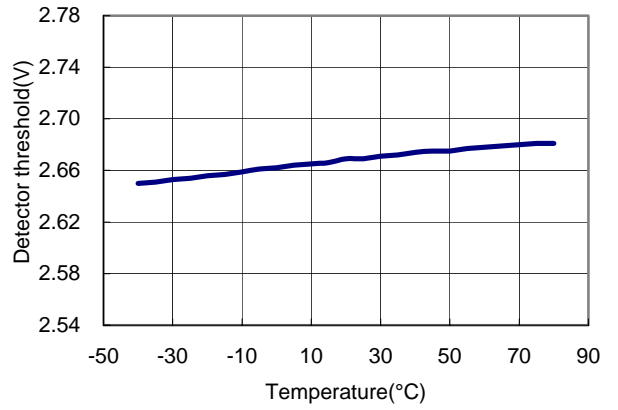


3) Detector Threshold Hysteresis VS. Temperature

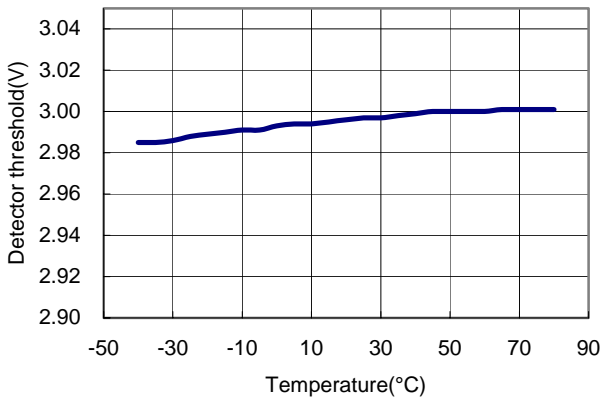
Detector threshold=0.9V



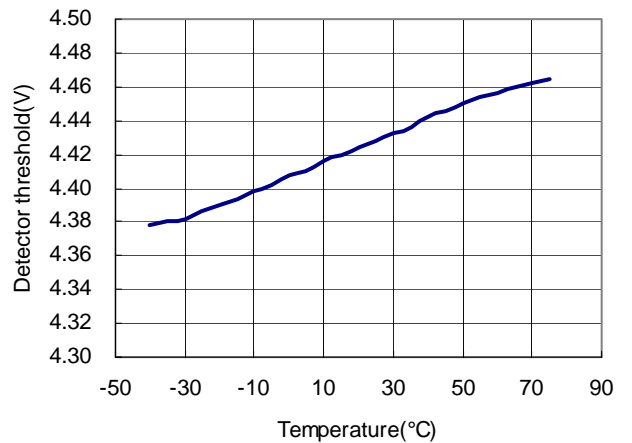
Detector threshold=2.7V



Detector threshold=3.0V

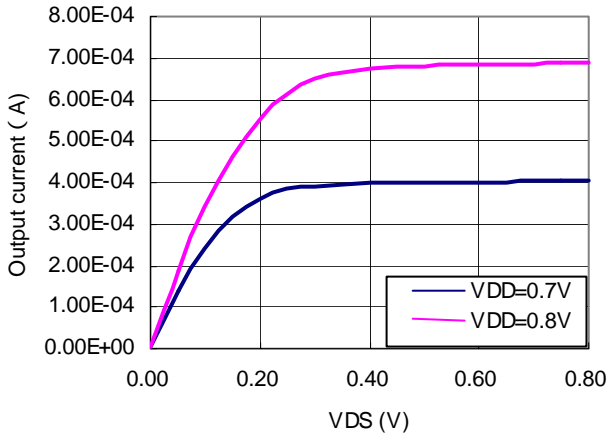


Detector threshold=4.4V

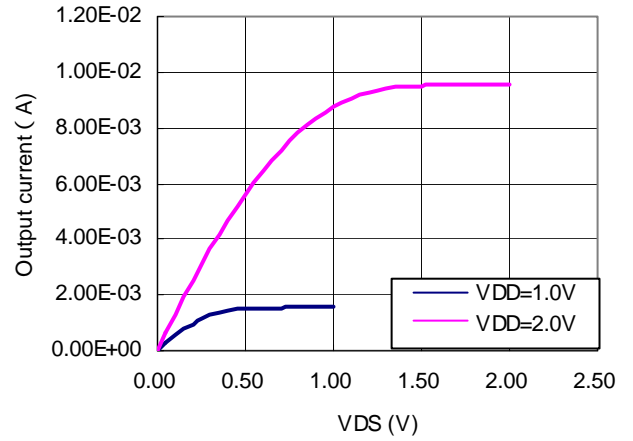


4) Nch Driver Output Current VS. Vds

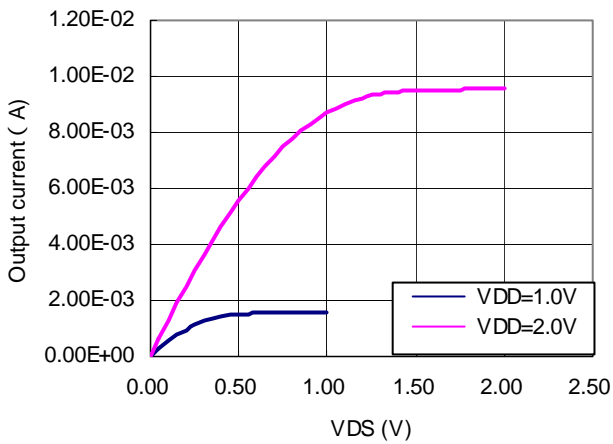
BL8506-09CXX



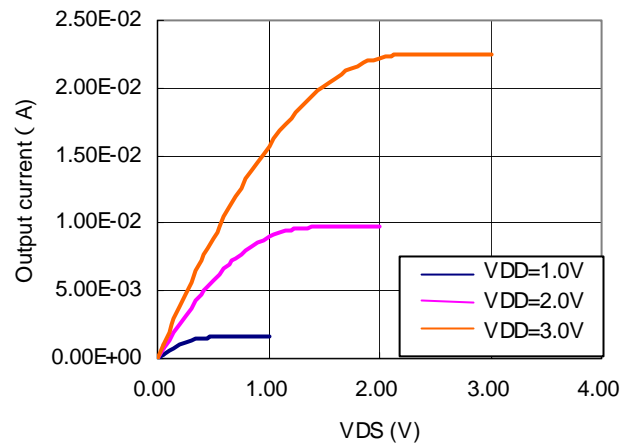
BL8506-27CXX



BL8506-30CXX

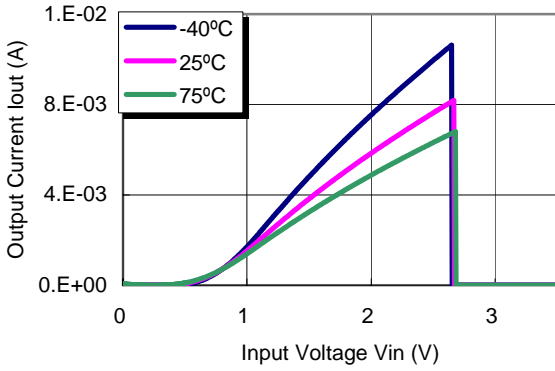


BL8506-44CXX

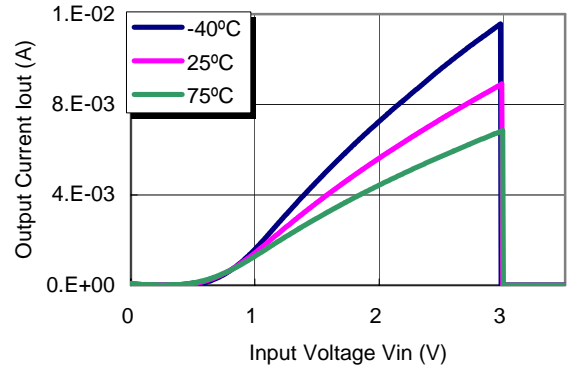


5) NCH Driver Output Current vs. Input Voltage

Detector threshold=2.7V

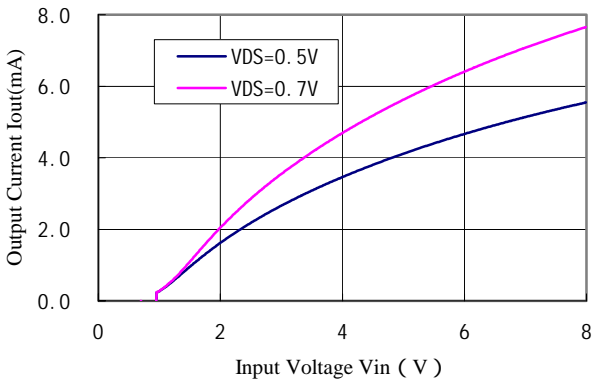


Detector threshold=3.0V

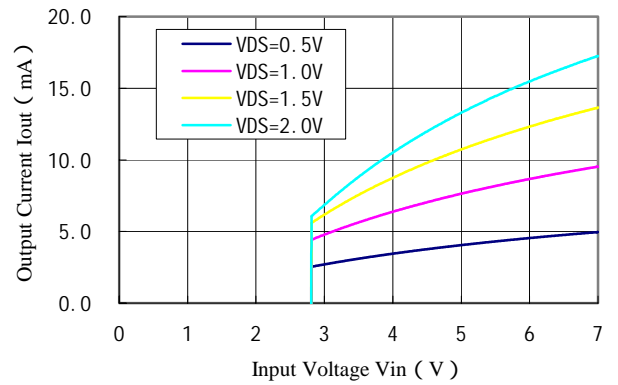


6) PCH Driver Output Current vs. Input Current

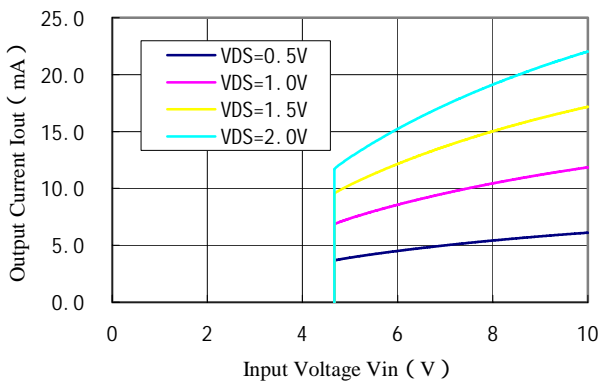
Detector threshold=0.9V



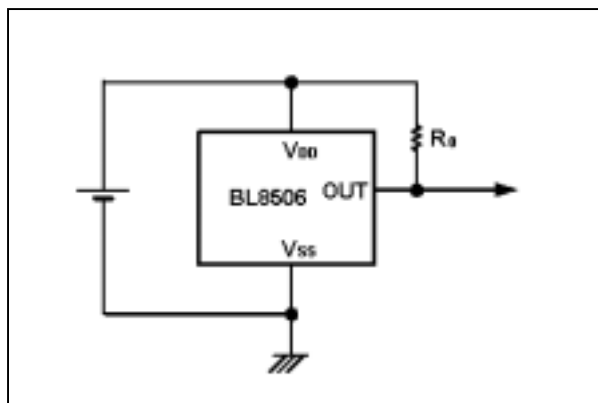
Detector threshold=2.7V



Detector threshold=4.4V



Typical applications :



Note :

1. R_o is unnecessary for CMOS output products.
2. The value of R_o need to be selected in different application, Typical value is 470k