

**Single Chip for 960x240 TFT Panel
480x480 Driver with Timing Controller**

Datasheet
Preliminary

Version: V0.08
Document No.: ILI8960DS_V0.08.pdf
Date : 2008-12-10

ILI TECHNOLOGY CORP.

8F, No.38, Taiyuan St., Jhubei City, Hsinchu County 302, Taiwan, R.O.C.
Taiwan 300, R.O.C.
Tel.886-3-5600099; Fax.886-3-5600055
<http://www.ilitek.com>

Table of Contents

Section	Page
1. Introduction.....	3
2. Features	3
3. Block Diagram.....	4
4. Application Block.....	5
5. Charge Pump Circuit Block.....	6
6. Pin Descriptions	8
7. 3-wire Serial Interface	10
8. Register List	12
9. Power On/Off Sequence	27
9.1. Power On Sequence	27
9.2. Power Off Sequence	27
10. Input Data and Output Voltage.....	28
11. Data Input Fromat	29
12. AC/DC Characteriistics	32
12.1. Absolute Maximun Rating.....	32
12.2. DC Electrical Characteristics.....	32
12.3. Input Signal Characteristics	34
13. Input Timing Waveform	37
13.1. Input Timing Chart.....	37
13.2. 8-bit RGB Input Timing.....	37
13.3. 8-bit Dummy RGB Input Timing	38
13.4. YUV720 and YUV640 Input Timing.....	40
13.5. Parallel RGB Input Timing.....	42
13.5.1. CCIR656 Vertical Input Timing	43
14. Pad Location	44
15. Bump Mask Information	51

1. Introduction

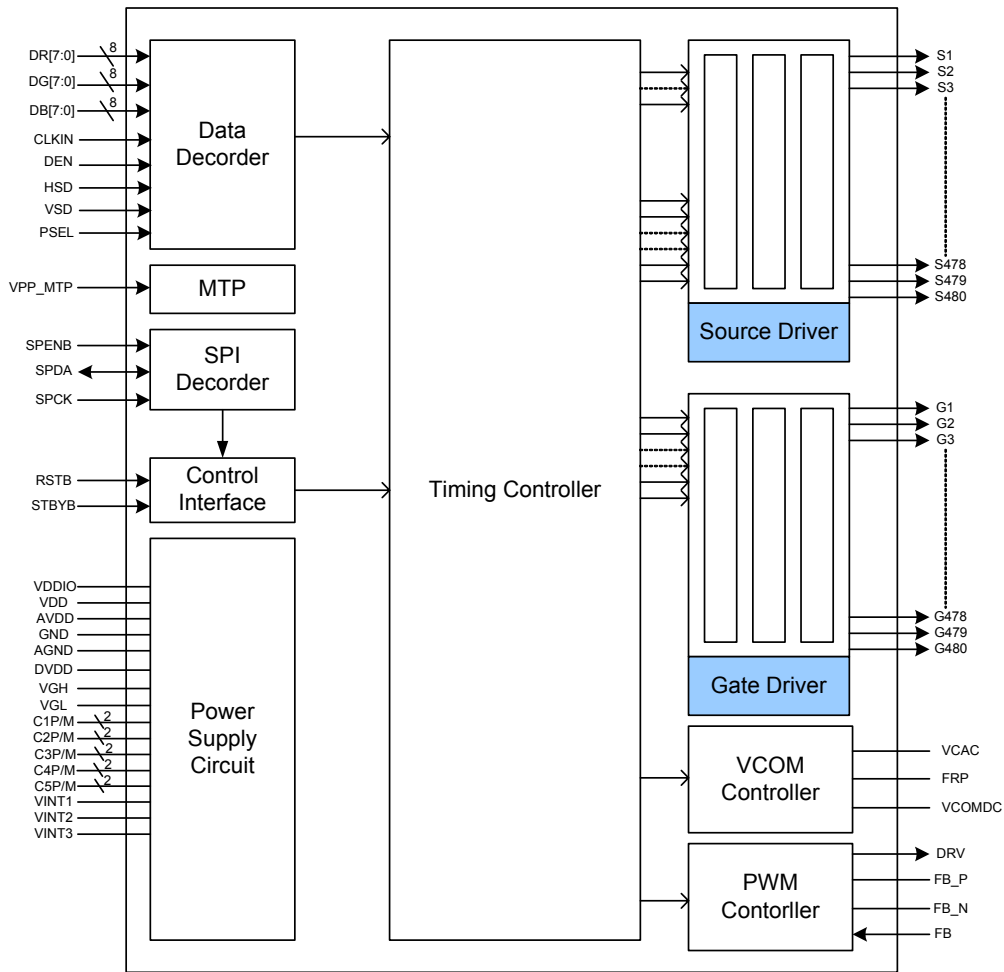
ILI8960 is one-chip solution for TFT-LCD small panel. This chip integrated source driver, gate driver, and built-in power generator and timing controller for the small panel application focused on the resolution of 960x240.

The serial communication interface is also embedded for function setting. This chip can be operated under a wide range of supply voltage. By applying “Double Gate Driver” panel architecture, the number of source output channel is reduced to 480 and the number of gate output channels is increased to 480. For the concern of lower power dissipation, line inversion driving technique is adopted. The dithering technique was also applied for source driver to support 8-bit resolution and the 256-gray scale with small output deviation is designed for the higher color resolution.

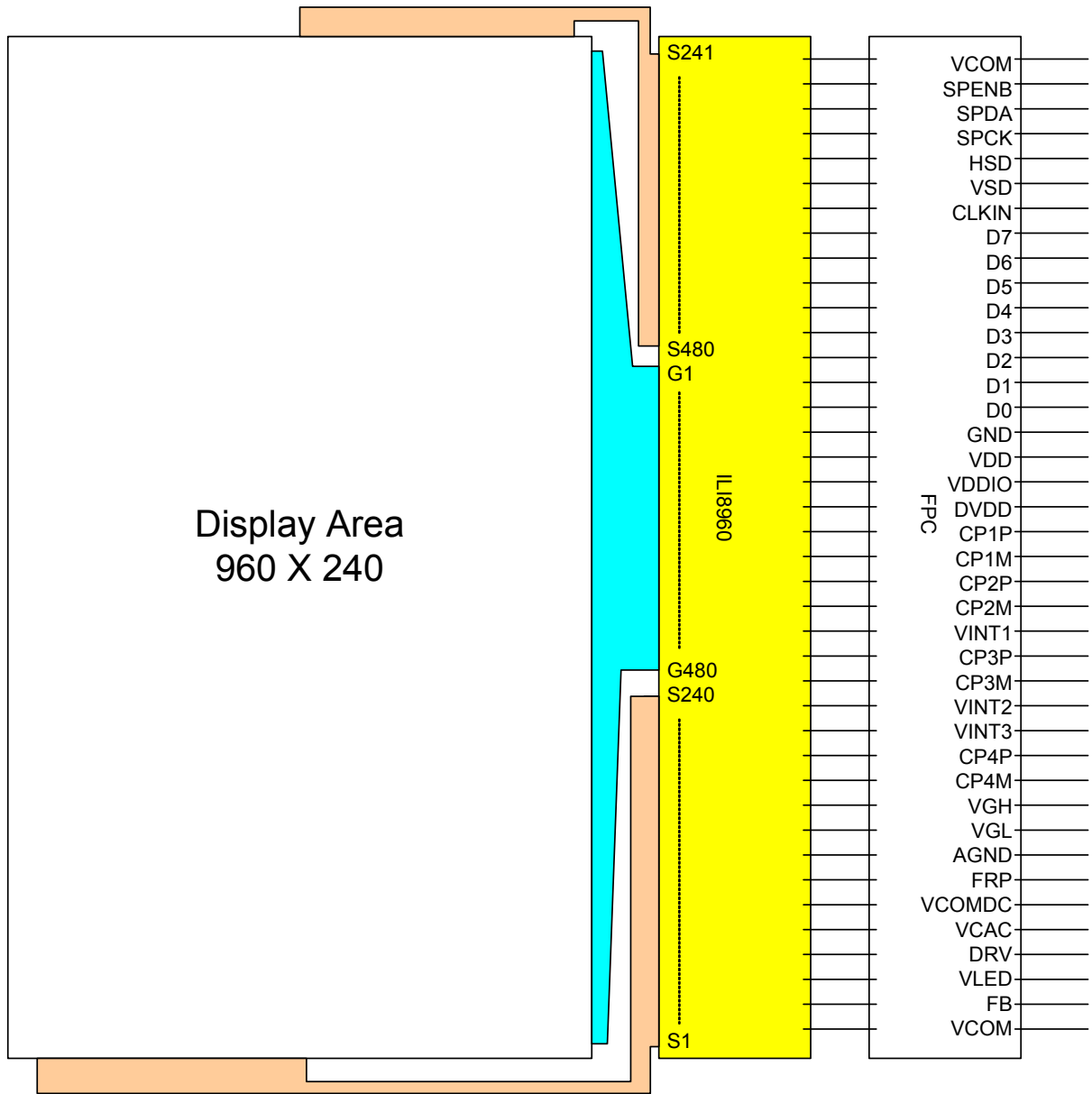
2. Features

- Panel resolution (HxV): 960x240
- Double gate driver with 480 sources and 480 gates
- 8-bit resolution, 256 gray scale with dithering (7bits DAC + 1 bit FRC)
- Display control and function selection by 3-wire SPI interface.
- Build-in DC-DC control circuit, charge pump, VCOM with programmable adjustment
- Built-in R-DAC gamma correction
- Line inversion selectable
- Right/Left shift, Up and Down scan function selectable
- Build-In PWM circuit for LED Back-light
- Power for digital circuit (VDD): 2.7V~ 3.6V
- Power for analog circuit (AVDD): 2.7V ~ 3.6V
- Power for Interface circuit (VDDIO): 1.8V ~ 3.6V

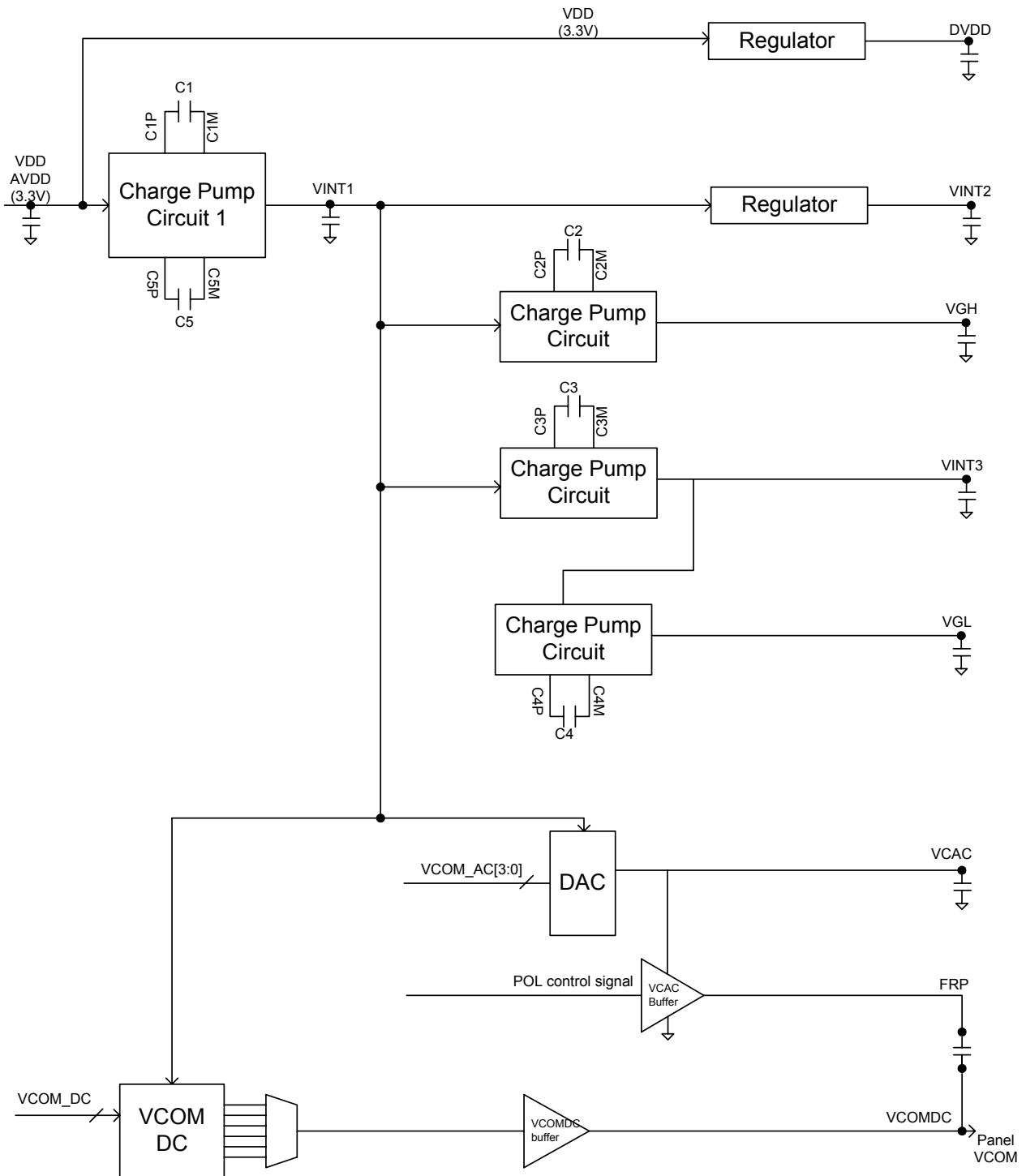
3. Block Diagram



4. Application Block



5. Charge Pump Circuit Block



Recommend value of wiring resistance and cpapcitors

Pad Name	Resistance (Ohm)	Pad Name	Resistance (Ohm)	Pad Name	Resistance (Ohm)
COM1_L	<=5	DG6	<=100	CP5P	<=5
VPP_MTP	<=5	DG5	<=100	CP5M	<=5
STBYB	<=100	DG4	<=100	CP2P	<=5
RSTB	<=100	DG3	<=100	CP2M	<=5
CHNSL	<=100	DG2	<=100	VINT1	<=5
PSEL	<=100	DG1	<=100	CP3P	<=5
SPENB	<=100	DG0	<=100	VINT2	<=5
SPDA	<=100	DR7	<=100	VINT3	<=5
SPCK	<=100	DR6	<=100	CP4P	<=5
DEN	<=100	DR5	<=100	VGH	<=5
HSD	<=100	DR4	<=100	VGL	<=5
VSD	<=100	DR3	<=100	AGND	<=5
CLKIN	<=100	DR2	<=100	FRP	<=5
DB7	<=100	DR1	<=100	VCOMDC	<=5
DB6	<=100	DR0	<=100	VCAC	<=5
DB5	<=100	GND	<=5	DRV	<=5
DB4	<=100	VDD	<=5	FB_N	<=5
DB3	<=100	AVDD	<=5	FB_P	<=5
DB2	<=100	VDDIO	<=5	FB	<=100
DB1	<=100	DVDD	<=5	COM2_L	<=5
DB0	<=100	CP1P	<=5		
DG7	<=100	CP1M	<=5		

Pin name	Capacitor no.	Withstanding voltage (V)	CAP (uF)
C1P	C1	10	≥2.2
C1M			
C2P	C2	10	≥2.2
C2M			
C3P	C3	16	≥2.2
C3M			
C4P	C4	16	≥2.2
C4M			
C5P	C5	10	≥2.2
C5M			
VDD/AVDD		6.3	≥4.7
DVDD		6.3	≥4.7
VINT1		10	≥4.7
VINT2		16	≥4.7
VINT3		25	≥4.7
VGH		25	≥4.7
VGL		16	≥4.7
VCAC		10	≥4.7
FRP-VCOMDC		10	≥2.2

*Note: Schottky diode turn-on voltage=0.2V

6. Pin Descriptions

Pin Name	I/O	Descriptions
HSD	I (VDDIO)	Horizontal Sync input. Negative polarity. *Remark: Internal pulled high(*)
VSD	I (VDDIO)	Vertical Sync input. Negative polarity. *Remark: Internal pulled high(*)
CLKIN	I	Clock signal. Latching data at the rising edge. (*)
DEN	I (VDDIO)	Data input Enable. Active High to enable the data input Bus under "DE Mode". *Remark: Internal pulled low(*)
DR[7:0]	I (VDDIO)	8-bit digital Red data input, only valid when PSEL="Low" (Parallel mode). *Remark: Internal pulled low(*)
DG[7:0]	I (VDDIO)	When PSEL ="High", these will be treated as serial 8-bit digital data input. (Including RGB or YUV). When PSEL ="Low", these will be treated as 8-bit digital Green data input. *Remark: Internal pulled low
DB[7:0]	I (VDDIO)	8-bit digital Blue data input, only valid when PSEL="Low" (Parallel mode). *Remark: Internal pulled low(*)
FRP	O	Frame polarity output for panel VCOM.
VCOMDC	O	VCOM DC output.
VCAC	O	Power setting capacitor for VCOM AC.
FB_P	I	ILED input and pass to one switch. *Remark: Voltage apply to this pad should < 5.5V
FB_N	I	ILED output from one switch output. *Remark: Voltage apply to this pad should < 5.5V
FB	I	Back light power boost converter feedback input.
DRV	O	Power transistor signal for back light power boost converter.
VDD	P	Power supply for charge pump circuit.
GND	P	Ground for digital circuits.
AGND	P	Ground pin for analog circuits.
VDDIO	P	Power supply fordigital interface
AVDD	P	Power supply for analog circuit.
VINT1	C	Power setting capacitor connect pin.
VINT2	C	Power setting capacitor connect pin.
VINT3	C	Power setting capacitor connect pin.
STBYB	I	Standby setting for testing, It should be connected to VDD in normal operation. If connected to GND, the IC is in standby mode. (Internal pulled high)(*)
RSTB	I	Global reset pin, it should be connected to VDD in normal operation. If connected to GND, the controller is in reset state. (Internal pulled high) (*)
VGH	C	Power setting capacitor connect pin.
VGL	C	Power setting capacitor connect pin.
DVDD	C	Power setting capacitor connecting pins.(internal core use, typical 1.8V)
C1P/M C2P/M C3P/M C4P/M	C	Capacitor connect pin for internal charge pump.
C5P/M	C	Capacitor for Charge Pump.(***)
S480 ~ 1	O	Source driver output signals.
G480 ~ 1	O	Gate driver output signals.
TEST0~3	T	Test pin (internal pull low), reserved floating for normal operation.
T_O0~3	T	Test pin (internal pull low), reserved floating for normal operation.
T_I0~7	T	Test pin (internal pull low), reserved floating for normal operation.
SHIELDINGx	P	These pins were connecting to VGL internally. Reserved floating for normal operation.
ALIGN_T ALIGN_B	M	For assembly alignment.
COM1_L COM1_R	S	The internal link together between input side and output side.

Pin Name	I/O	Descriptions
COM2_L COM2_R	S	The internal link together between input side and output side.
CHNSL	I	Output channel selection pin. (Internal pulled high) (*) CHNSL = "High": 480 channel source output. CHNSL = "Low": 320 channel source output. Output channel S1~S80 and S401~S480 will be disabled and output was random value.
PSEL	I	Parallel 24-bit and Serial 8-bit data input selection. (internal pulled high) (*) PSEL = "High": Serial 8-bit data input through DG0~DG7. PSEL = "Low": Parallel 24-bit RGB input through DR0~DR7, DB0~DB7, DG0~DG7. (**)
SPENB	I	Serial communication chip select. (internal pulled High) (*)
SPDA	I/O	Serial communication data input.
SPCK	I	Serial communication clock input.
VPP MTP	P	MTP power input pin.

Note:

I: Input, O: Output, P: Power, D: Dummy, S: Shorted line, M: Mark, PI: Power input, PO: Power output, T: Testing

I/ O: Input / Output. C: Capacitor pin.

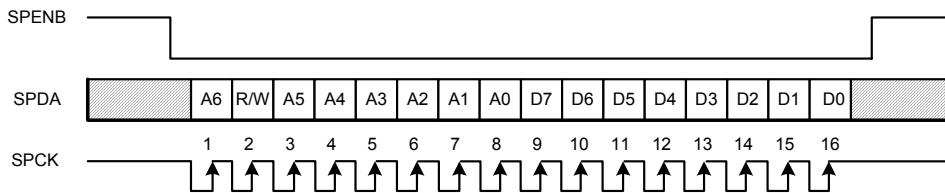
(*) The voltage level of these signals is the same as VDDIO

(**) It depends on the register setting. Please see three-wire for detailed description.

(***) To apply the component or not is base on application.

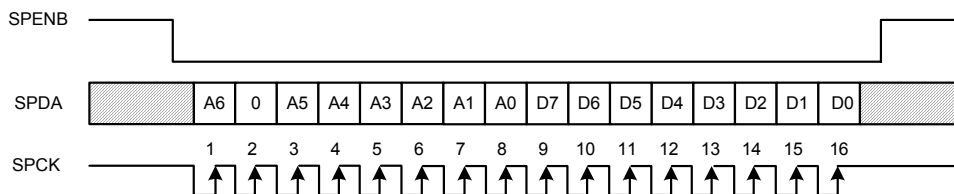
7. 3-wire Serial Interface

3-Wire Serial command format

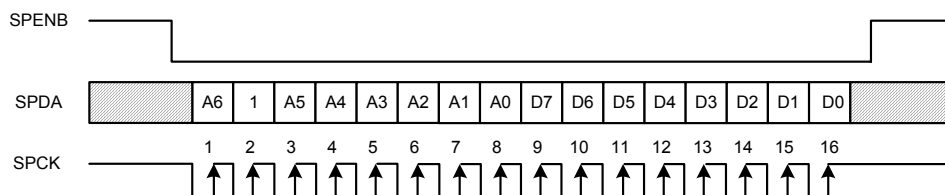


- Each serial command consists of 16 bits of data that is loaded one bit a time at the rising edge of serial clock SPCK. Command loading operation starts from the falling edge of SPENB and is completed at the next rising edge of SPENB.
- The serial control block is operational after power on reset, but commands are established by the VSD signal. If command is transferred multiple times for the same register, the last command before the VSD signal is valid.
- If less than 16 bits of SPCK are input while SPENB is low, the transferred data is ignored.
- If 16 bits or more of SPCK are input while SPENB is low, the last 16 bits of transferred data before the rising edge of SPENB pulse are valid data.
- Serial block operates with the SPCK clock.
- Serial data can be accepted in the power save modes.

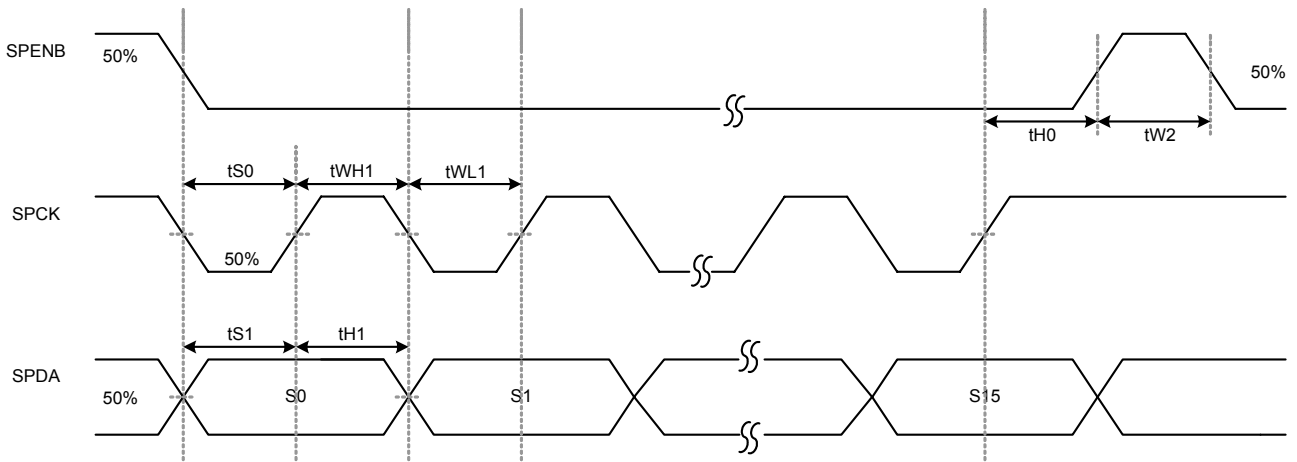
Serial Interface Write Sequence



Serial Interface Read Sequence



Serial Control Timing



Item	symbol	Min.	Typ.	Max.	Unit
SPENB input setup time	tS0	50			ns
Serial data input setup time	tS1	50			ns
SPENB input hold time	tH0	50			ns
Serial Data Input hold time	tH1	50			ns
SPCK pulse high width	tWH1	50			ns
SPCK pulse low width	tWL1	50			ns
SPENB pulse high width	tW2	400			ns

8. Register List

Register	Address								Parameter Data							
	A6	R/W	A5	A4	A3	A2	A1	A0	D7	D6	D5	D4	D3	D2	D1	D0
R00h	0	1/0	0	0	0	0	0	0	Y_CbCr (0)	CCIR601 (0)	x	x	VCOM_AC (0101)			
R01h	0	0	0	0	0	0	0	1	VCDCE (1)	x	VCOM_DC (21h)					
R03h	0	0	0	0	0	0	1	1	Brightness (40h)							
R04h	0	0	0	0	0	1	0	0	Narrow (0)	YUV (0)	SEL (00)	NTSC/PAL (10)		VDIR (1)	HDIR (1)	
R05h	0	0	0	0	0	1	0	1	DRV_FREQ (0)	GRB (1)	PWM_DUTY (011)		SHDB2 (1)	SHDB1 (1)	STB (0)	
R06h	0	0	0	0	0	1	1	0	HBLK_EN (0)	LED_Current (00)	VBLK (15h)					
R07h	0	0	0	0	0	1	1	1	HBLK (46h)							
R08h	0	1/0	0	0	1	0	0	0	BL_DRV (00)	x	x	x	0	0	0	
R0Bh	0	1/0	0	0	1	0	1	1	REGSEL (0)	x	SYNCSEL	x	x	SOPC (11)		
R0Ch	0	1/0	0	0	1	1	0	0	PAIR (00)	DESEL (0)	CbCr (0)	Depol (0)	Vdpol (1)	Hdpol (1)	CLKINpol (0)	
R0Dh	0	1/0	0	0	1	1	0	1	CONTRAST_B (40h)							
R0Eh	0	1/0	0	0	1	1	1	0	x	SUB_CONTRAST_R (40h)						
R0Fh	0	1/0	0	0	1	1	1	1	x	SUB_BRIGHTNESS_R (40h)						
R10h	0	1/0	0	1	0	0	0	0	x	SUB_CONTRAST_B (40h)						
R11h	0	1/0	0	1	0	0	0	1	x	SUB_BRIGHTNESS_B (40h)						
R12h	0	1/0	0	1	0	0	1	0	TRMEN (00)							
R13h	0	1/0	0	1	0	0	1	1	x	x	x	0	CF_SEL (0)	0	0	IN_SEL (0)
R16h	0	1/0	0	1	0	1	1	0	x	x	x	x	x	GAMMA2.2 (1)	x	x
R17h	0	1/0	0	1	0	1	0	1	x	GMA_V16 (101)		x	GMA_V8 (100)			
R18h	0	1/0	0	1	1	0	0	0	x	GMA_V50 (101)		x	GMA_V32 (100)			
R19h	0	1/0	0	1	1	0	0	1	x	GMA_V96 (100)		x	GMA_V72 (011)			
R1Ah	0	1/0	0	1	1	0	1	0	x	GMA_V120 (101)		x	GMA_V110 (100)			
R55h	1	1/0	0	1	0	1	0	1	0	INV_SEL (0)	0	0	x	X	X	0
R56h	1	1/0	0	1	0	1	1	0	x	x	x	x	x	x	VGH_SEL (11)	
R57h	1	1/0	0	1	0	1	1	1	x	x	x	x	x	x	VGL_SEL (10)	
R61h	1	1/0	1	0	0	1	1	1	x	x	x	x	x	x	FBMODE (1)	

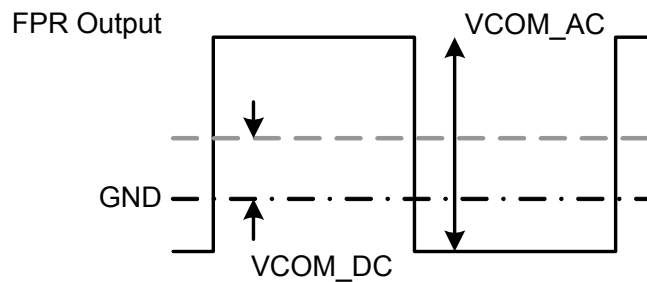
Note:

1. When RSTB is low, all registers reset to default values.
2. Serial commands are executed at next VSD signal.

Register	Parameter Data							
	D7	D6	D5	D4	D3	D2	D1	D0
R00h	Y_CbCr (0)	CCIR601 (0)	x	x		VCOM_AC (0101)		

VCOM_AC (R00h[3:0]): VCOM voltage AC level selection

VCOM_AC[3:0]				Voltage(V)
0	0	0	0	3.6
0	0	0	1	3.7
0	0	1	0	3.8
0	0	1	1	3.9
0	1	0	0	4
0	1	0	1	4.1(default)
0	1	1	0	4.2
0	1	1	1	4.3
1	0	0	0	4.4
1	0	0	1	4.5
1	0	1	0	4.6
1	0	1	1	4.7
1	1	x	x	4.8



CCIR601 (R00h[6]): CCIR601 interface control

CCIR601	Function
0	Disable CCIR601. (default)
1	Enable CCIR601. (please refer to the table of R4(SEL) for detail description)

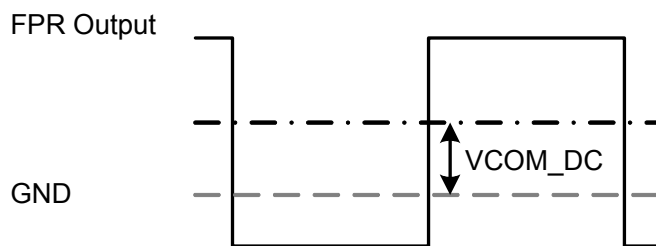
Y_CbCr (R00h[7]): Y & CbCr exchange position (only valid for 8-bit input YUV640/YUV720)

	Under R12[4] CbCr = '0'								Under R12[4] CbCr = '1'							
Y_CbCr = '0' (default)	Cb0	Y0	Cr0	Y1	Cb2	Y2	Cr2	Y3	Cr0	Y0	Cb0	Y1	Cr2	Y2	Cb2	Y3
Y_CbCr = '1'	Y0	Cb0	Y1	Cr0	Y2	Cb2	Y3	Cr2	Y0	Cr0	Y1	Cb0	Y2	Cr2	Y3	Cb2

Register	Parameter Data							
	D7	D6	D5	D4	D3	D2	D1	D0
R01h	VCDCE (1)	x	VCOM_DC (21h)					

VCOM_DC (R01h[5:0]): VCOM voltage DC level selection (20mV/step)

VCOM_DC[5:0]	VCOM DC Level
00h	0.24
:	:
21h	0.90 (default)
:	:
3Fh	1.5



VCDCE (R01h[7]): VCOM DC enables control

VCDCE	VCDCE Function
0	VCOM DC function disabled. The VCOMDC pin is connected to GND.
1	VCOM DC function enabled. The VCOMDC voltage follows VCOM_DC setting. (default)

Register	Parameter Data							
	D7	D6	D5	D4	D3	D2	D1	D0
R03h	Brightness (40h)							

Brightness (R03h[7:0]): RGB brightness level control

Brightness[7:0]	Brightness Offset
00h	Dark. (-64)
40h	Center (0).(default)
FFh	Bright. (+191)

Setting accuracy 1bit/step

Register	Parameter Data							
	D7	D6	D5	D4	D3	D2	D1	D0
R04h	Narrow (0)	YUV (0)	SEL (00)		NTSC/PAL (10)		VDIR (1)	HDIR (1)

HDIR(R04h[0]): Source driver output direction selection

HDIR	HDIR Function
0	Shift from right to left. Y0 ← Y1 ← ... ← Y959 ← Y960
1	Shift from left to right. Y0 → Y1 → ... → Y959 → Y960(default)

VDIR(R04h[1]): Gate driver output direction selection

VDIR	VDIR Function
0	Shift from down to up. L0 ← L1 ← ... ← L959 ← L960
1	Shift from up to down. L0 → L1 → ... → L959 → L960(default)

NTSC/PAL[1:0] (R04h[3:2]): NTSC/PAL input mode selection.

NTSC/PAL[1:0]		NTSC/PAL Mode
0	0	PAL.
0	1	NTSC
1	X	Auto detection. (default)

SEL[1:0] (R04h[5:4]): Input data format selection.

CCIR601	YUV	SEL[1:0]		Input Timing format
0	0	0	0	8-bit RGB. (default)
0	0	0	1	8-bit Dummy RGB 320 x 240
0	0	1	x	8-bit Dummy RGB 360 x 240
0	1	0	x	CCIR656(720)
0	1	1	x	CCIR656(640)
1	1	0	x	YUV640
1	1	1	0	YUV720

YUV(R04h[6]): YUV(CCIR656) or RGB input interface selection.

YUV	Data format
0	RGB input. (Default)
1	CCIR656/YUV640/YUV720 input

Narrow(R04h[7]): Normal / Narrow display selection

Narrow	Function
0	Normal display. (Default)
1	Narrow display.



Narrow = 0



Narrow = 1

Register	Parameter Data							
	D7	D6	D5	D4	D3	D2	D1	D0
R05h	DRV_FREQ (0)	GRB (1)	PWM_DUTY (011)			SHDB2 (1)	SHDB1 (1)	STB (0)

STB(R05h[0]): Standby (Power saving) mode control

STB	STB Function
0	Standby Mode. (default)
1	Normal operation.

SHDB1(R05h[1]): Back light power converter control.

SHDB1	SHDB1 Function
0	The back light power converter is off.
1	The back light power converter is controlled by STB's power on/off sequence. (default)

SHDB2(R05h[2]): VGH/VGL charge pump control

SHDB2	SHDB2 Function
0	VGH/VGL charge pump is always off.
1	VGH/VGL charge pump is controlled by STB's power on/off sequence. (default)

PWM_DUTY(R05h[5:3]): PWM duty cycle selection for back light power convert

PWM_DUTY[2:0]			PWM duty cycle
0	0	0	55%
0	0	1	60%
0	1	0	65%
0	1	1	70% (default)
1	0	0	75%
1	0	1	80%
1	1	0	85%
1	1	1	90%

GRB(R05h[6]): Global reset

GRB	GRB Function
0	Reset all registers to default value.
1	Normal operation. (Default)

DRV_FREQ(R05h[7]): DRV signal frequency selection

DRV_FREQ	DRV frequency
0	High Frequency (default)
1	Low Frequency

Register	Parameter Data							
	D7	D6	D5	D4	D3	D2	D1	D0
R06h	HBLK_EN (0)	LED_Current (00)				VBLK (15h)		

VBLK[4:0](R06h[4:0]): Vertical blanking setting for 8-bit RGB , 8-bit Dummy RGB & CCIR656

For 8-bit RGB, 8-bit Dummy RGB, YUV640, YUV720, CCIR656 **NTSC** mode, and Parallel RGB input mode.

VBLK[4:0]	VBLK Function	Unit
00h~03h	3.	H
04h	4.	
15h	21.(default)	
1Fh	31.	

For 8-bit Dummy RGB, YUV640, YUV720, CCIR656 **PAL** mode (Vertical Blanking + 3)

VBLK[4:0]	VBLK Function	Unit
00h	3.	H
04h	7.	
15h	24.(default)	
1Fh	34.	

LED_CURRENT[0:1] (R06h[5:6]): LED current adjustable for DC-DC feedback threshold voltage

LED_CURRENT[1:0]	Feedback Threshold Voltage
0	0.6 V. (default)
1	0.75V.
10	0.45V.
11	0.3V.

HBLK_EN (R06h[7]): Horizontal blanking function enable

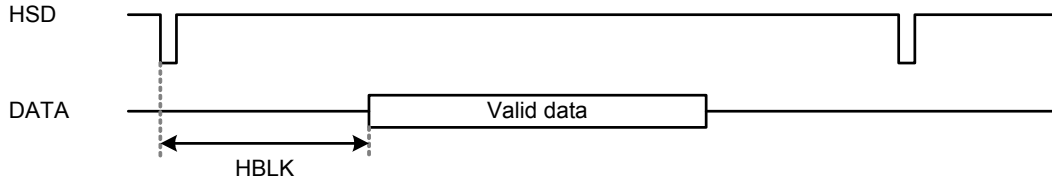
Register	Parameter Data							
	D7	D6	D5	D4	D3	D2	D1	D0
R07h						HBLK (46h)		

HBLK (R07h[7:0]): Horizontal blanking setting

HBLK_EN	D7~D0	HBLK	Unit	NTSC/PAL Mode
X	32h	50	CLKIN(*)	8-bit RGB
X	46h	70		
X	FFh	255		
X	X	241	CLKIN(*)	8-bit Dummy RGB
0	XXh	240	CLKIN(*)	YUV840, YUV720
1	00h~03h	3	CLKIN(*)	
	04h~255	4~255		
0	X	61	CLKIN(*)	Parallel RGB
	28h~	4~63		

*The frequency of CLKIN is different under different input timing.

'X' : don't care



Register	Parameter Data							
	D7	D6	D5	D4	D3	D2	D1	D0
R08h	BL_DRV (00)		x	x	x	0	0	0

BL_DRV(R08h[7:6]) : Backlight driving capability setting

D7	D6	BL_DRV capability
0	0	Normal capability. (Default)
0	1	2 times the Normal capability.
1	0	4 times the Normal capability.
1	1	8 times the Normal capability.

Register	Parameter Data							
	D7	D6	D5	D4	D3	D2	D1	D0
R0Bh	REGSEL (0)		x	SYNCSEL	x	x	SOPC (11)	

SOPC (R0Bh[1:0]): Source output driving capability selection

D1	D0	Source Driver Capability
0	0	-50%.
0	1	-33%
1	0	-25%
1	1	Normal. (default)

SYNCSEL (R0Bh[4]): SYNC mode selection

D4	SYNCSEL Function
0	DE Mode
1	SYNC+DE Mode

REGSEL (R0Bh[7]): MTP function control register

D7	REGSEL Function
0	VCOM_DC[5:0] is read from MTP memory. (Default)
1	VCOM_DC[5:0] is controlled by the register R1.

Register	Parameter Data							
	D7	D6	D5	D4	D3	D2	D1	D0
R0Ch	PAIR (00)		DESEL (0)	CbCr (0)	DEpol (0)	VDpol (1)	HDpol (1)	CLKINpol (0)

CLKINpol (R0Ch[0]): CLKIN polarity selection

D0	CLKINpol Function
0	Latch data at CLKIN rising edge. (Default)
1	Latch data at CLKIN falling edge

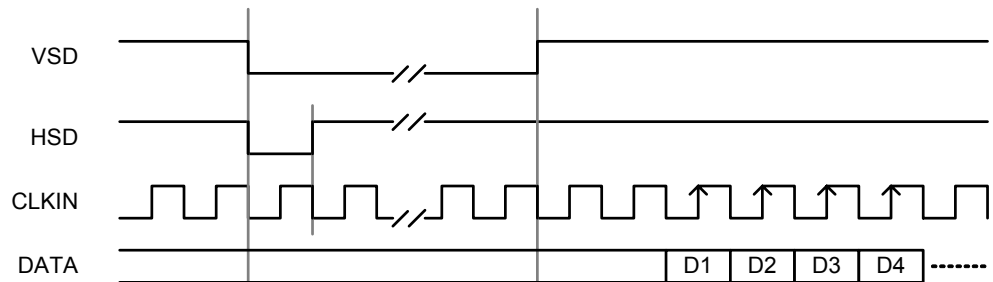
HDpol (R0Ch[1]): HSD polarity selection

D1	HDpol Function
0	Positive polarity.
1	Negative polarity. (Default)

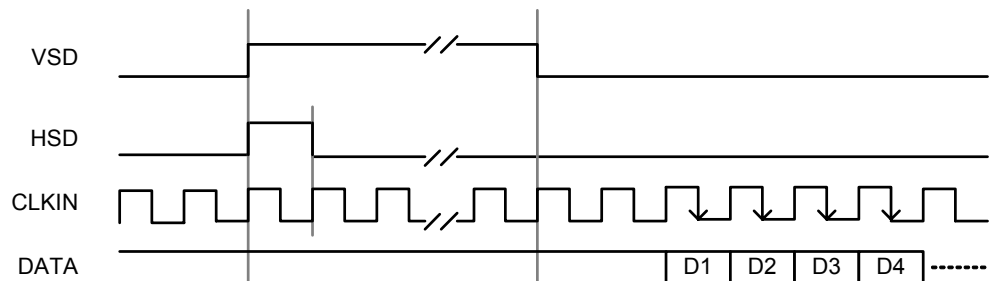
VDpol (R0Ch[2]): VSD polarity selection

D2	VDpol Function
0	Positive polarity.
1	Negative polarity. (Default)

HDpol = 1, VDpol = 1, CLKINpol = 0



HDpol = 0, VDpol = 0, CLKINpol = 1



DEpol (R0Ch[3]): DEN polarity selection

D3	DEpol Function
0	Positive polarity (Default)
1	Negative polarity

CbCr (R0Ch[4]): Cb & Cr exchange position (valid for CCIR656 and YUV640/YUV720)

D4	CbCr Function
0	Cb→Y→Cr. (Default)
1	Cr→Y→Cb.

DESEL(R0Ch[5]): DE mode selection

D5	DESEL Function
0	HV mode selected. (Default)
1	DE mode selected.

SYNCSEL	DESEL	Function
0	0	HV Mode
	1	DE Mode
1	X	SYNC + DE

* DESEL only controls the HV and DE mode at 8-bit RGB, 8-bit Dummy RGB and Parallel Mode.

PAIR(R0Ch[7:6]): Vertical start time of odd/even frame

8-bit RGB / 8-bit Dummy RGB NTSC / 8-bit Dummy RGB PAL(*)

Parallel RGB input mode (PSEL= "Low")

PAIR		VBLK	Unit
D7	D6	ODD/EVEN	
X	0	21/21. (Default)	H(Line)
X	1	21/20.	

CCIR656/YUV640/YUV720 NTSC/PAL(**)

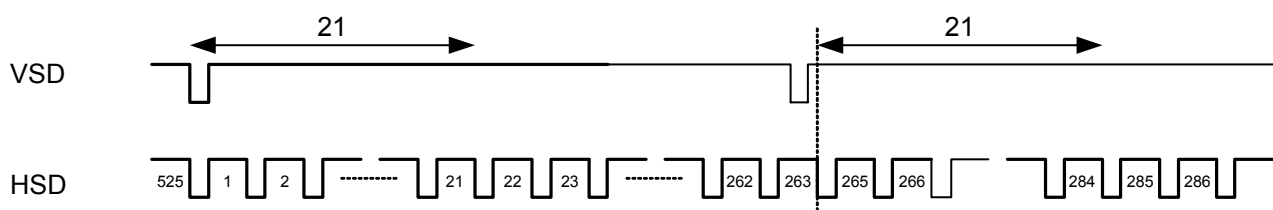
PAIR		VBLK	Unit
D7	D6	ODD/EVEN	
0	0	21/21. (Default)	H(Line)
0	1	21/22	
1	0	22/21	
1	1	22/22	

(*)The typical value of VBLK of 8-bit Dummy RGB PAL (24 H) is different from 8-bit RGB/8-bit Dummy RGB NTSC(21H).

(**) The typical value of VBLK of CCIR656 PAL (24 H) is different from CCIR656 NTSC (21H).

Note: V-Blanking must be adjusted base on the input data.

For example:



Register	Parameter Data							
	D7	D6	D5	D4	D3	D2	D1	D0
R0Ch	CONTRAST_B (40h)							

CONTRAST_B(R0Ch[7:0]) : RGB contrast level setting

D7~D0	Contrast Gain
00h	0
...	...
40h	1(Default)
...	...
FFh	3.984

Register	Parameter Data							
	D7	D6	D5	D4	D3	D2	D1	D0
R0Dh	x	SUB_CONTRAST_R (40h)						

SUB-CONTRAST_R(R0Dh[6:0]): Red color contrast level setting

D6~D0	R Contrast Gain
00h	0.75
...	...
40h	1(Default)
...	...
7Fh	1.246

Register	Parameter Data							
	D7	D6	D5	D4	D3	D2	D1	D0
R0Eh	x	SUB_BRIGHTNESS_R (40h)						

SUB-BRIGHTNESS_R(R0Eh[6:0]): Red color brightness level setting

D6~D0	R Brightness Offset
00h	darker (-64)
...	...
40h	center (0) (Default)
...	...
7Fh	brighter (+63)

Register	Parameter Data							
	D7	D6	D5	D4	D3	D2	D1	D0
R10h	x	SUB_CONTRAST_B (40h)						

SUB-CONTRAST_B(R10h[6:0]): Blue color contrast level setting

D6~D0	B Contrast Gain
00h	0.75
...	...
40h	1 (Default)
...	...
7Fh	1.246

Register	Parameter Data							
	D7	D6	D5	D4	D3	D2	D1	D0
R11h	x	SUB_BRIGHTNESS_B (40h)						

SUB-BRIGHTNESS_B(R11h[6:0]): Blue color brightness level setting

D6~D0	B Brightness Offset
00h	darker (-64)
...	...
40h	center (0) (Default)
...	...
7Fh	brighter (+63)

Register	Parameter Data							
	D7	D6	D5	D4	D3	D2	D1	D0
R12h	TRMEN (00)							

TRMEN (R12h): VCOM DC Trim Function Control Register

VCOMDC Trim function control register, Write the follow command sequentially to enable the VCOMDC trim function.

Adjust VCOMDC level:

Set TRMEN[7:0] = 00h and write proper VCOM_DC[5:0] value using 3-wire command.

Programming the VCOM_DC value into MTP memory:

Set VPP_MTP = 7.5V with external power supply for programming operation. (Requirement)

Set TRMEN[7:0] as following sequence : A0h → 5Fh → EEh →00h

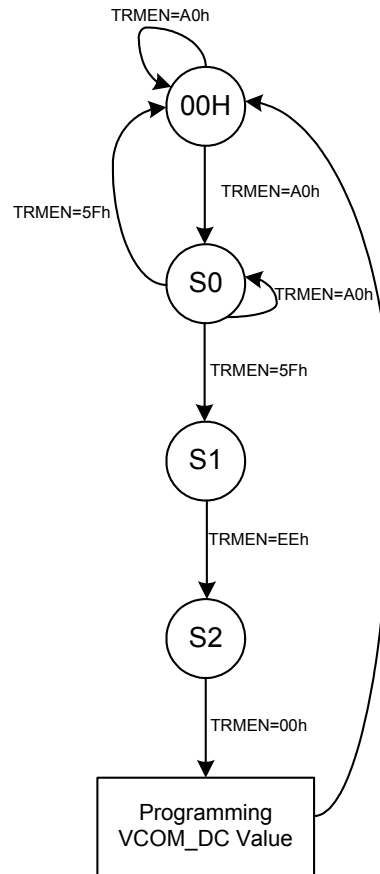
REGSEL will be clear to 0 after the programming procedure.

Procedure-1
Set REGSEL = 1,
Please make sure VCDCEN=1

Procedure-2
Update VCOM_DC vaule

Procedure-3
VCOMDC trim state please
follow Note

Procedure-4
Hardware clear REGSEL=0,
check REGSEL =0 by 3-wire
read check VCOMDC value



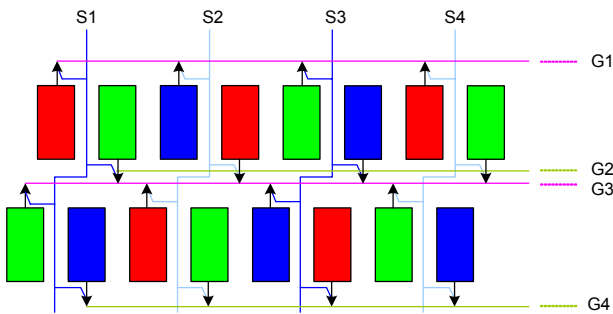
Note:

1. The Trim Block can be writing for only “4” times
2. After finishing TRMEN command do not power off within 1 second.
3. Trim command exceed the limitation may cause the VCOMDC output unknown value.
4. The CLKIN input frequency should be 24MHz ~ 26MHz.

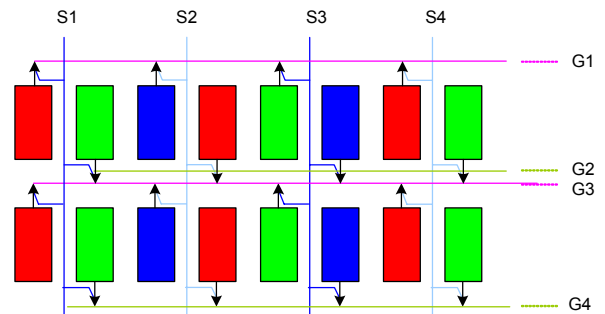
Register	Parameter Data							
	D7	D6	D5	D4	D3	D2	D1	D0
R13h	x	x	x	0	CF_SEL (0)	0	0	IN_SEL (0)

CF_SEL(R13h[3]): Color filter selection

CF_SEL	Function
0	Delta color filter. (Default)
1	Stripe color filter.



Delta Color Filter



Stripe Color Filter

IN_SEL(R13h[0]): Entry Control

IN_SEL	Function
0	Through mode: Input data must be aligned with the color filter arrangement.
1	Alignment mode: Input data must always be the R1, G1, B1, R2, G2, B2, ... sequence, and the R/G/B data will be swapped automatically based on the selected color filter arrangement.

Register	Parameter Data							
	D7	D6	D5	D4	D3	D2	D1	D0
R16h	x	x	x	x	x	GAMMA2.2 (1)	x	x

GAMMA2.2 (R16h): Select auto or manual gamma setting

D2	Gamma 2.2 Function
0	Manual set gamma by R17h~R1Ah.
1	Auto set to gamma2.2. (default)

Register	Parameter Data							
	D7	D6	D5	D4	D3	D2	D1	D0
R17h	x		GMA_V16 (101)		x		GMA_V8 (100)	
R18h	x		GMA_V50 (101)		x		GMA_V32 (100)	
R19h	x		GMA_V96 (100)		x		GMA_V72 (011)	
R1Ah	x		GMA_V120 (101)		x		GMA_V110 (100)	

Registers : R17h ~R1Ah

GMA_V8: Gamma reference voltage V8;

GMA_V16: Gamma reference voltage V16;

GMA_V32: Gamma reference voltage V32;

GMA_V50: Gamma reference voltage V50;

GMA_V72: Gamma reference voltage V72;

GMA_V96: Gamma reference voltage V96;

GMA_V110: Gamma reference voltage V110;

GMA_V120: Gamma reference voltage V120;

Register	Parameter Data							
	D7	D6	D5	D4	D3	D2	D1	D0
R55h	0	INV_SEL (0)	0	0	x	X	X	0

INV_SEL (R55h[6]): Inversion selection

D6	INV_SEL Function
0	One line inversion. (Default)
1	Column inversion.

Register	Parameter Data							
	D7	D6	D5	D4	D3	D2	D1	D0
R56h	x	x	x	x	x	x	VGH_SEL (11)	

VGH_SEL (R56h[1:0]): VGH voltage level selection

VGH_SEL	VGH Voltage	
	FBMODE=1	FBMODE=0
2'b00	VGL + 9V.	VGL + 2V.
2'b01	VGL + 10V.	VGL + 3V.
2'b10	VGL + 11V.	VGL + 4V.
2'b11	VGL + 12V. (Default)	VGL + 5V. (Default)

Register	Parameter Data							
	D7	D6	D5	D4	D3	D2	D1	D0
R57h	x	x	x	x	x	x	VGL_SEL (10)	

VGL_SEL (R57h[1:0]): VGL voltage level selection

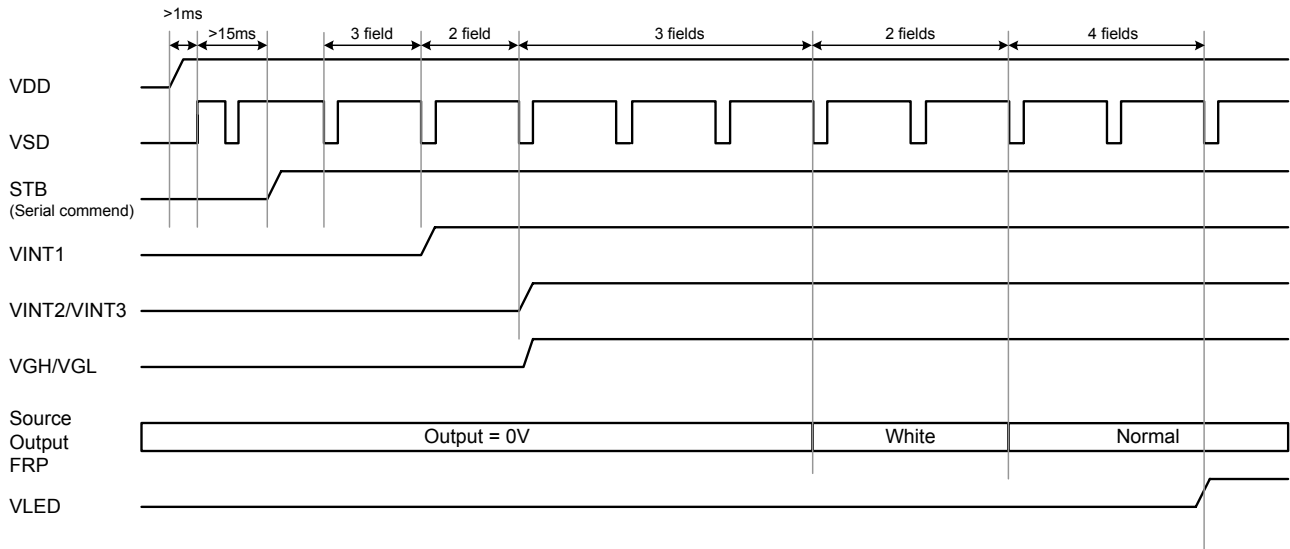
VGL_SEL	VGH Voltage	
	FBMODE=1	FBMODE=0
2'b00	-4V	-8V
2'b01	-5V	-9V
2'b10	-6V (default)	-10V (default)
2'b11	-7V	-11V

Register	Parameter Data							
	D7	D6	D5	D4	D3	D2	D1	D0
R61h	x	x	x	x	x	x		FBMODE

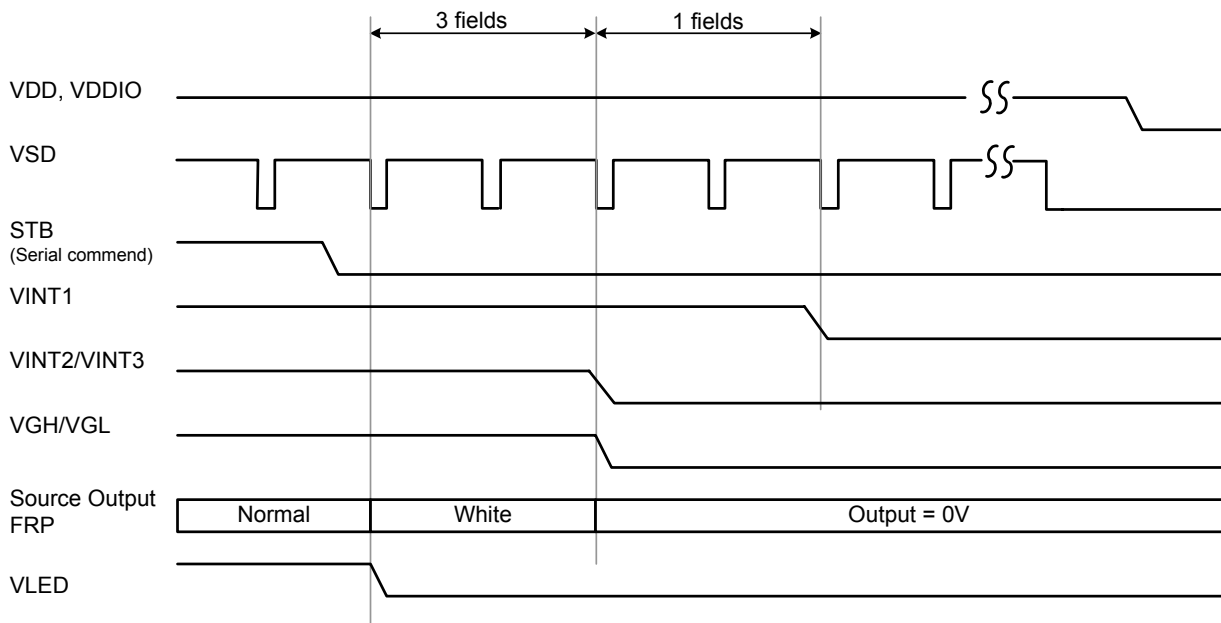
FBMODE	VGH/VGL Voltage Range selection
0	Select higher VGL voltage
1	Select lower VGL voltage

9. Power On/Off Sequence

9.1. Power On Sequence



9.2. Power Off Sequence



10. Input Data and Output Voltage

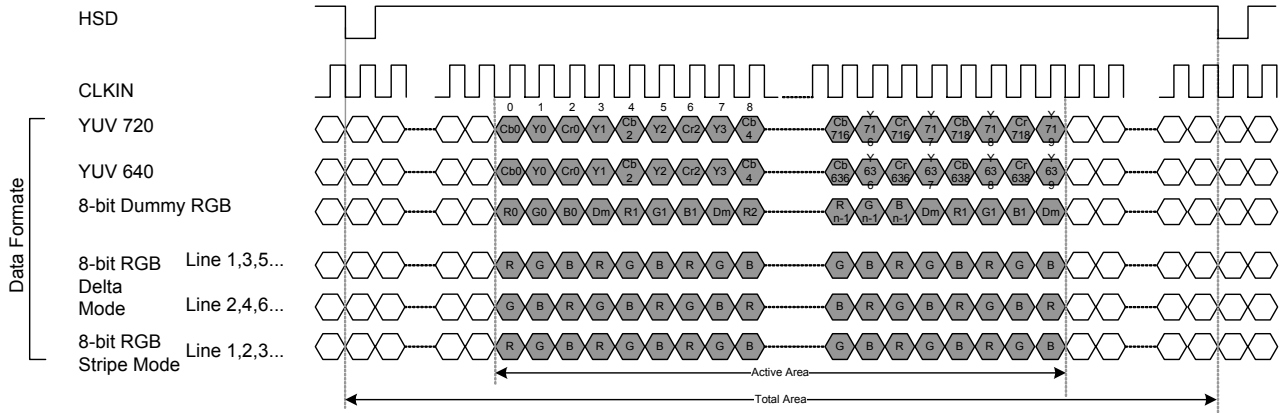
Output Voltage V.S.Input Data

Input Data	Output Voltage (FRP=L)	Output Voltage (FRP=H)	Input Data	Output Voltage (FRP=L)	Output Voltage (FRP=H)	Input Data	Output Voltage (FRP=L)	Output Voltage (FRP=H)
00	GMA H x 0.000	GMA_H x 0.074	2B	GMA H x 0.551	GMA H x 0.394	56	GMA H x 0.387	GMA H x 0.560
01	GMA H x 0.979	GMA H x 0.149	2C	GMA H x 0.546	GMA H x 0.397	57	GMA H x 0.383	GMA H x 0.566
02	GMA H x 0.958	GMA H x 0.170	2D	GMA H x 0.542	GMA H x 0.400	58	GMA H x 0.380	GMA H x 0.571
03	GMA H x 0.938	GMA H x 0.185	2E	GMA H x 0.537	GMA H x 0.404	59	GMA H x 0.376	GMA H x 0.577
04	GMA H x 0.919	GMA H x 0.197	2F	GMA H x 0.532	GMA H x 0.407	5A	GMA H x 0.373	GMA H x 0.582
05	GMA H x 0.901	GMA H x 0.208	30	GMA H x 0.528	GMA H x 0.411	5B	GMA H x 0.369	GMA H x 0.588
06	GMA H x 0.884	GMA H x 0.215	31	GMA H x 0.523	GMA H x 0.414	5C	GMA H x 0.366	GMA H x 0.594
07	GMA H x 0.867	GMA H x 0.222	32	GMA H x 0.519	GMA H x 0.418	5D	GMA H x 0.362	GMA H x 0.599
08	GMA H x 0.852	GMA H x 0.231	33	GMA H x 0.514	GMA H x 0.421	5E	GMA H x 0.359	GMA H x 0.605
09	GMA H x 0.835	GMA H x 0.238	34	GMA H x 0.509	GMA H x 0.425	5F	GMA H x 0.355	GMA H x 0.611
0A	GMA H x 0.818	GMA H x 0.246	35	GMA H x 0.506	GMA H x 0.428	60	GMA H x 0.352	GMA H x 0.618
0B	GMA H x 0.803	GMA H x 0.252	36	GMA H x 0.502	GMA H x 0.432	61	GMA H x 0.347	GMA H x 0.624
0C	GMA H x 0.789	GMA H x 0.259	37	GMA H x 0.498	GMA H x 0.435	62	GMA H x 0.343	GMA H x 0.631
0D	GMA H x 0.775	GMA H x 0.265	38	GMA H x 0.494	GMA H x 0.439	63	GMA H x 0.338	GMA H x 0.638
0E	GMA H x 0.763	GMA H x 0.271	39	GMA H x 0.491	GMA H x 0.443	64	GMA H x 0.333	GMA H x 0.645
0F	GMA H x 0.751	GMA H x 0.276	3A	GMA H x 0.487	GMA H x 0.446	65	GMA H x 0.329	GMA H x 0.653
10	GMA H x 0.741	GMA H x 0.282	3B	GMA H x 0.483	GMA H x 0.450	66	GMA H x 0.324	GMA H x 0.660
11	GMA H x 0.731	GMA H x 0.287	3C	GMA H x 0.480	GMA H x 0.454	67	GMA H x 0.319	GMA H x 0.668
12	GMA H x 0.720	GMA H x 0.292	3D	GMA H x 0.476	GMA H x 0.457	68	GMA H x 0.315	GMA H x 0.676
13	GMA H x 0.711	GMA H x 0.296	3E	GMA H x 0.472	GMA H x 0.461	69	GMA H x 0.310	GMA H x 0.684
14	GMA H x 0.702	GMA H x 0.301	3F	GMA H x 0.469	GMA H x 0.465	6A	GMA H x 0.306	GMA H x 0.693
15	GMA H x 0.693	GMA H x 0.306	40	GMA H x 0.465	GMA H x 0.469	6B	GMA H x 0.301	GMA H x 0.702
16	GMA H x 0.684	GMA H x 0.310	41	GMA H x 0.461	GMA H x 0.472	6C	GMA H x 0.296	GMA H x 0.711
17	GMA H x 0.676	GMA H x 0.315	42	GMA H x 0.457	GMA H x 0.476	6D	GMA H x 0.292	GMA H x 0.720
18	GMA H x 0.668	GMA H x 0.319	43	GMA H x 0.454	GMA H x 0.480	6E	GMA H x 0.287	GMA H x 0.731
19	GMA H x 0.660	GMA H x 0.324	44	GMA H x 0.450	GMA H x 0.483	6F	GMA H x 0.282	GMA H x 0.741
1A	GMA H x 0.653	GMA H x 0.329	45	GMA H x 0.446	GMA H x 0.487	70	GMA H x 0.276	GMA H x 0.751
1B	GMA H x 0.645	GMA H x 0.333	46	GMA H x 0.443	GMA H x 0.491	71	GMA H x 0.271	GMA H x 0.763
1C	GMA H x 0.638	GMA H x 0.338	47	GMA H x 0.439	GMA H x 0.494	72	GMA H x 0.265	GMA H x 0.775
1D	GMA H x 0.631	GMA H x 0.343	48	GMA H x 0.435	GMA H x 0.498	73	GMA H x 0.259	GMA H x 0.789
1E	GMA H x 0.624	GMA H x 0.347	49	GMA H x 0.432	GMA H x 0.502	74	GMA H x 0.252	GMA H x 0.803
1F	GMA H x 0.618	GMA H x 0.352	4A	GMA H x 0.428	GMA H x 0.506	75	GMA H x 0.246	GMA H x 0.818
20	GMA H x 0.611	GMA H x 0.355	4B	GMA H x 0.425	GMA H x 0.509	76	GMA H x 0.238	GMA H x 0.835
21	GMA H x 0.605	GMA H x 0.359	4C	GMA H x 0.421	GMA H x 0.514	77	GMA H x 0.231	GMA H x 0.852
22	GMA H x 0.599	GMA H x 0.362	4D	GMA H x 0.418	GMA H x 0.519	78	GMA H x 0.222	GMA H x 0.867
23	GMA H x 0.594	GMA H x 0.366	4E	GMA H x 0.414	GMA H x 0.523	79	GMA H x 0.215	GMA H x 0.884
24	GMA H x 0.588	GMA H x 0.369	4F	GMA H x 0.411	GMA H x 0.528	7A	GMA H x 0.208	GMA H x 0.901
25	GMA H x 0.582	GMA H x 0.373	50	GMA H x 0.407	GMA H x 0.532	7B	GMA H x 0.197	GMA H x 0.919
26	GMA H x 0.577	GMA H x 0.376	51	GMA H x 0.404	GMA H x 0.537	7C	GMA H x 0.185	GMA H x 0.938
27	GMA H x 0.571	GMA H x 0.380	52	GMA H x 0.400	GMA H x 0.542	7D	GMA H x 0.170	GMA H x 0.958
28	GMA H x 0.566	GMA H x 0.383	53	GMA H x 0.397	GMA H x 0.546	7E	GMA H x 0.149	GMA H x 0.979
29	GMA H x 0.560	GMA H x 0.387	54	GMA H x 0.394	GMA H x 0.551	7F	GMA H x 0.074	GMA H x 1.000
2A	GMA H x 0.556	GMA H x 0.390	55	GMA H x 0.390	GMA H x 0.556			

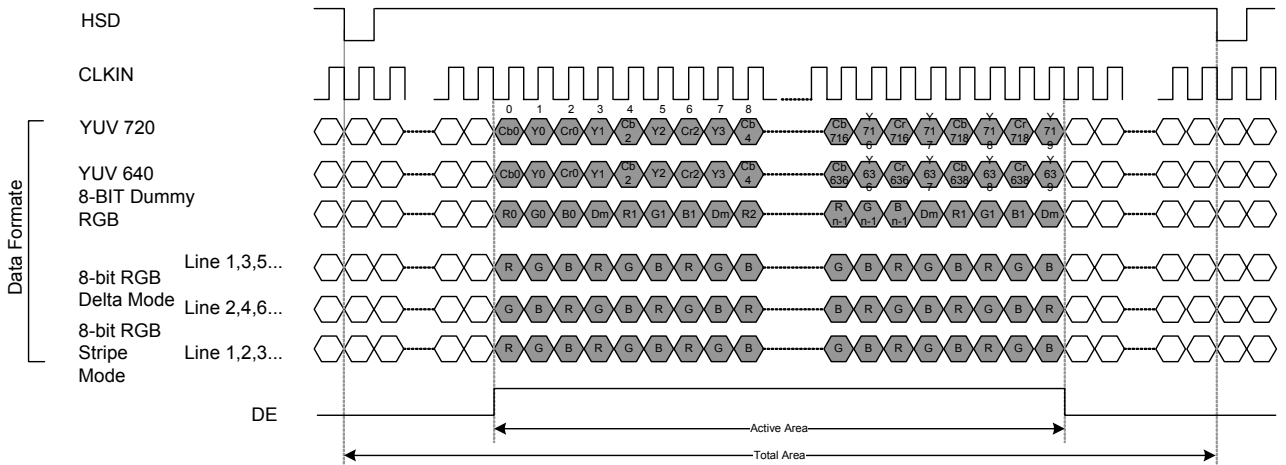
11. Data Input Format

Serial 8-bit RGB / 8-bit Dummy RGB / YUV Mode Data format

HV Mode

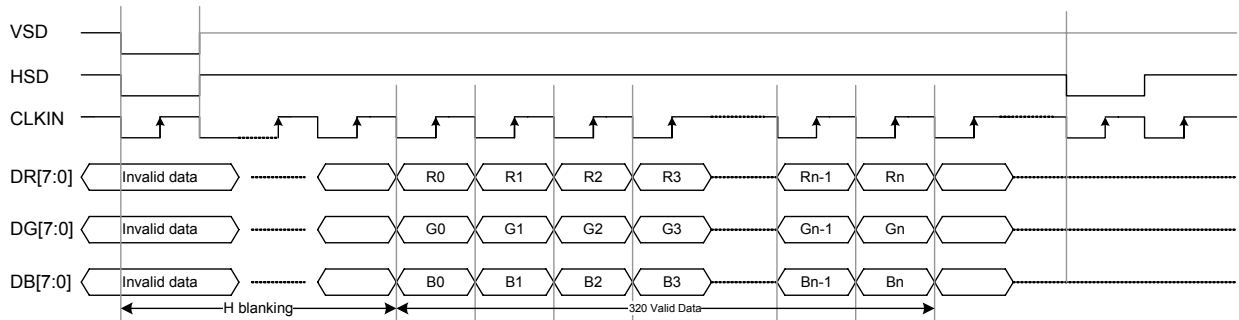


DE Mode

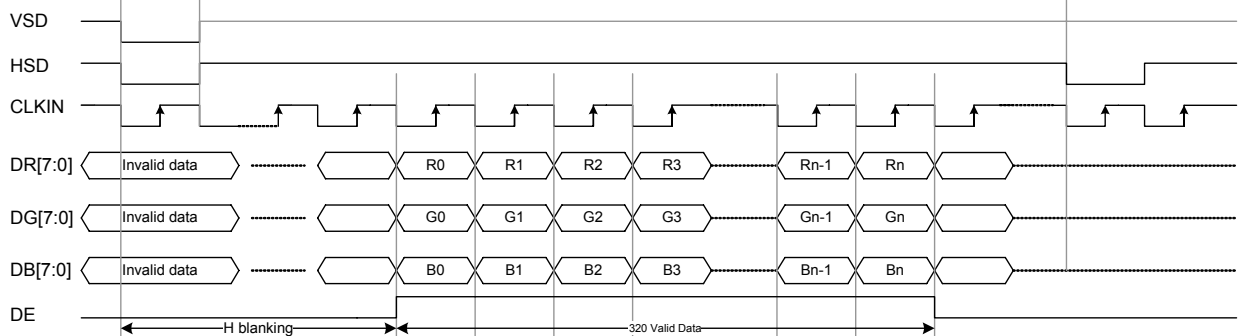


Parallel RGB Mode Data Format

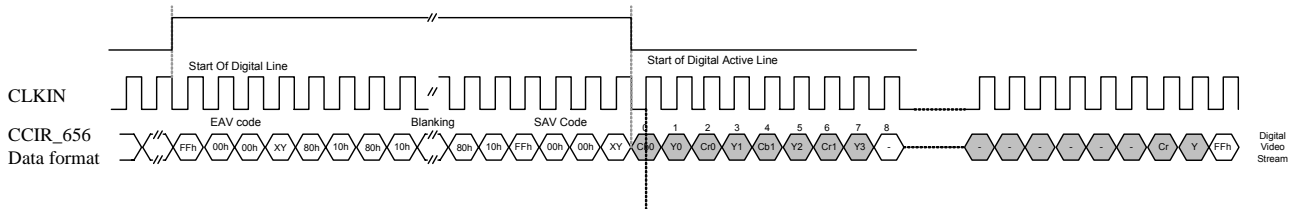
HV Mode



DE Mode



CCIR_656 Mode Data format



➤ FF 00 00 XY signals are involved with HSD, VSD and Field.

➤ XY encode following bits:

F = field select

V = indicate vertical blanking

H = 1, if EAV else 0 for SAV

P3-P0 = protection bits:

$P3 = V \oplus H$ $P2 = F \oplus H$ $P1 = F \oplus V$ $P0 = F \oplus V \oplus H$ \oplus : Represents the exclusive-OR function.

XY							
D7(MSB)	D6	D5	D4	D3	D2	D1	D0
1	F	V	H	P3	P2	P1	P0

➤ Control is provided through “End of Video” (EAV) and “Start of Video” (SAV) timing references.

➤ Horizontal blanking section consists of repeating pattern 80 10 80 10

Data Active Area

Input Format	Format Standard	CLKIN(MHz)	H	Total AREA	Active AREA
YUV	CCIR_601	fCLKIN = 27	1	1716	1440
	CCIR_656			1728	
	CCIR_601	fCLKIN = 24.54	1	1560	1280
8-bit Dummy RGB	NTSC/PAL	fCLKIN = 27	1	1560	1440
		fCLKIN = 24.54		1560	1280
8-bit RGB	NTSC/PAL	fCLKIN = 27	1	1716	960
24bit RGB	320RGB x 240	fCLKIN =6.4	1	408	320 (RGB)

(Unit:CLKIN)

CCIR656/YUV640/YUV720 to RGB Conversion Formula

$$R_n = 1.164 * [(Y_{2n-1} + Y_{2n}) / 2 - 16] + 1.596 * (Cr_n - 128)$$

$$G_n = 1.164 * [(Y_{2n-1} + Y_{2n}) / 2 - 16] - 0.813 * (Cr_n - 128) - 0.392 * (Cb_n - 128)$$

$$B_n = 1.164 * [(Y_{2n-1} + Y_{2n}) / 2 - 16] + 2.017 * (Cb_n - 128)$$

Where Y: 16~235 Cr: 16~240 Cb: 16~240

12. AC/DC Characteriistics

12.1. Absolute Maximun Rating

Supply voltage:	VDD -0.3V to 5V
Interface supply voltage:	VDDIO -0.3V to VDD+0.3V
Logic supply voltage:	DVDD -0.3V to 3V
Input signal voltage:	-0.3V to VDDIO+0.3V
Storage temperature:	-55°C to 125°C
Operating temperature:	-20°C to 85°C

*Comments

Stresses above those listed under “Absolute Maximum Ratings” may cause permanent damage to the device. These are stress ratings only. Functional operation of this device at these or under any other conditions above those indicated in the operational sections of this specification are not implied and exposure to absolute maximum rating conditions for extended periods may affect device reliability.

Recommended operation range

(GND=AGND=PGND= 0V, TA = -20 to 85°C)

Parameter	Symbol	Min.	Typ.	Max.	Unit	Conditions
Power Supply for Analog Circuit	AVDD	3	3.3	3.6	V	
Power Supply for Digital Circuit	VDD	3	3.3	3.6	V	

12.2. DC Electrical Characteristics

(VDD=3.0~3.6V, VDDIO=AVDD=VDD, AGND=GND=0V, TA=25°C)

• (For the digital circuit :)

Parameter	Symbol	Min.	Typ.	Max.	Unit	Conditions
I/O Supply Voltage	VDDIO	1.8	-	VDD	V	
Low Level Input Voltage	Vil	GND	-	0.3xVDDIO	V	VDDIO = 2.7V~3.6V
		GND	-	0.2xVDDIO		VDDIO = 1.8V~2.7V
High Level Input Voltage	Vih	0.7xVDDIO	-	VDDIO	V	VDDIO = 2.7V~3.6V
		0.8xVDDIO	-	VDDIO		VDDIO = 1.8V~2.7V
Input Leakage Current	Ii	-	-	±1	uA	Digital input pins.
Pull-high/low Impedance	Rin	150k	200k	250k	Ω	VDDIO = 3.3V

• (For the analog circuit :)

Parameter	Symbol	Min.	Typ.	Max.	Unit	Conditions
Analog supply voltage	AVDD	-	VDD	-	V	
Gamma supply voltage	GMA_H	-	2.7	-	V	
Voltage Deviation of Outputs	Vdev	-	±20	±35	m	Vo=0.1V ~ 0.5V & GMA_H-0.5 ~ GMA_H-0.1V
			±15	±20	m	Vo=0.5V ~ GMA_H-0.5V
Dynamic Range of Output	Vdr	0.1	-	GMA_H-0.1	V	S1 ~ S480
Driving current of Source outputs	IOHS	-	-25	-	uA	Vos = GMA_H-0.2V, Vys = GMA_H-1.1V
Sinking current of Source outputs	IOLS	-	25	-	uA	Vos = 0.2V, Vys = 1.1V
Driving current of Gate outputs	IOHG	-	-200	-	uA	VGH = 15V, VGL = -10V, Vog = 15V, Vyg = 14.5V
Sinking current of Gate outputs	IOLG	-	200	-	uA	VGH = 15V, VGL = -10V, Vog = -10V, Vyg = -9.5V
Base drive current for PWM	IDRV	-	0.25	-	mA	VDD=3.3V, DRV=0.7 V
DRV output voltage for PWM	VDRV	0	-	VDD	V	
Feed back voltage for PWM	VFB	0.25	0.6	0.8	V	DC/DC operating
FRP DC Tolerance	VCAC	-100	-	+100	mV	VCAC value by VCOM_DC setting
FRP Low level output current	IOLF	-	5	-	mA	For VCAC = 5V, Vofrp = 0V Vyfrp = 0.9V
FRP High level output current	IOHF	-	-5	-	mA	For VCAC = 5V, Vofrp = 5V Vyfrp = 4.1V
Driving current of VCOMDC	ICDCH	-10	-	-	uA	Vycdc = VCOMDC - 1V
Sinking current of VCOMDC	ICDL	-	-	10	uA	Vycdc = VCOMDC + 1V
Positive power supply	VGH	9.5	18	19.5	V	
Negative power supply (Low)	VGL	-7.5	-6	-3.5	V	
Ripple of VGL	Vglrp	-150	-	50	mV	No loads, Power setting capacitors are default setting.
Stand-by Current	Ist	-	80	100	uA	STBYB="0", all function are shutdown
Operating Current	Iop	-	8 (TBD)	(TBD)	mA	No load, line inversion, @Frame rate = 60Hz

Notes:

1. Vys, Vyg is the voltage applies to source and gate output pins.
2. Vos, Vog is the output voltage of source and gate output pins.
3. Vyfrp is the voltage applies to FRP pin.
4. Vofrp is the output voltage of FRP pin.
5. Vycdc is the voltage applies to VCOMDC pin

12.3. Input Signal Characteristics

(VDD=3.0~3.6V, VDDIO=AVDD=VDD, AGND=GND=0V, TA=25°C)

Parameter	Symbol	Min.	Typ.	Max.	Unit	Conditions
Time that the HSD to CLKIN	Thc	-	-	1	CLKIN	
HSD period time	Th	60	63.56	67	us	
VSD setup time	Tvst	12	-	-	ns	
VSD hold time	Tvhd	12	-	-	ns	
HSD setup time	Thst	12	-	-	ns	
HSD hold time	Thhd	12	-	-	ns	
Data setup time	Tdsu	12	-	-	ns	DR0~DR7, DG0~DG7, DB0~DB7 to CLKIN
Data hold time	Tdhd	12	-	-	ns	DR0~DR7, DG0~DG7, DB0~DB7 to CLKIN
Time that VSD to 1 st Gate output	Tstv	0	21	31	H	@ 8-bit RGB, 8-bit Dummy RGB NTSC, and Parallel RGB, Delay by VBLK setting.
Time that CCIR_V to 1 st Gate output	Tstv	0	22	31	H	@ CCIR656 NTSC, Delay by VBLK setting.
Time that CCIR_V to 1 st Gate output	Tstv	3	24	34	H	@ 8-bit Dummy RGB & CCIR656 PAL, Delay by VBLK setting.
Source output setting time (*1)	Tst	-	-	8	us	R= TBD Kohm , C= TBD pF 10% 90%
Gate output setting time (*1)	Tstg	-	0.5	1	us	R= TBD Kohm , C= TBD pF 10% 90%
VCOM setting time (*1)	Tst,vcom	-	-	9	us	R= TBD Kohm , C= TBD nF 10% 90%
Time that HSD width	Twh	1	-	-	CLKIN	

Ps. (*1) Test Condition:

When the tested signal is changed from Vo, min to Vo,max, the time that is from the start of change to the time that the swing voltage at point B is less than +/- 20 mV is called the setting time of the tested signal.

Timing Tables

8-bit RGB

AC Electrical Characteristics (VDD =3.0~3.6V, VDDIO=AVDD=VDD, AGND=GND=0V, TA=25°C)

Parameter	Symbol	Min.	Typ.	Max.	Unit	Conditions
CLKIN frequency	Fclk	-	19	30	MHz	
CLKIN cycle time	Tcph	-	52	-	ns	
CLK pulse duty	Tcw	40	50	60	%	Tcph
Time that the HSD to Source output	Thso	-	3.5	-	CLKIN	
Time that the HSD to Gate output	Thgo	-	64.5	-	CLKIN	
Time that the HSD to Gate output off	Thgz	-	22.5	-	CLKIN	

8-bit Dummy RGB

AC Electrical Characteristics (VDD =3.0~3.6V, VDDIO=AVDD=VDD, AGND=GND=0V, TA=25°C)

Parameter	Symbol	Min.	Typ.	Max.	Unit	Conditions
CLKIN frequency	Fclk	-	24.5/27	30	MHz	
CLKIN cycle time	Tcph	-	40/37	-	ns	
CLK pulse duty	Tcw	40	50	60	%	Tcph
Time that the HSD to Source output	Thso	-	3.5	-	CLKIN	
Time that the HSD to Gate output	Thgo	-	64.5	-	CLKIN	
Time that the HSD to Gate output off	Thgz	-	22.5	-	CLKIN	

YUV640 / YUV720

AC Electrical Characteristics (VDD =3.0~3.6V, VDDIO=AVDD=VDD, AGND=GND=0V, TA=25°C)

Parameter	Symbol	Min.	Typ.	Max.	Unit	Conditions
CLKIN frequency	Fclk	-	24.5/27	30	MHz	
CLKIN cycle time	Tcph	-	40/37	-	ns	
CLK pulse duty	Tcw	40	50	60	%	Tcph
Time that the HSD to Source output	Thso	-	3.5	-	CLKIN	
Time that the HSD to Gate output	Thgo	-	64.5	-	CLKIN	
Time that the HSD to Gate output off	Thgz	-	22.5	-	CLKIN	

CCIR 656

AC Electrical Characteristics (VDD =3.0~3.6V , VDDIO=AVDD=VDD, AGND=GND=0V, TA=25°C)

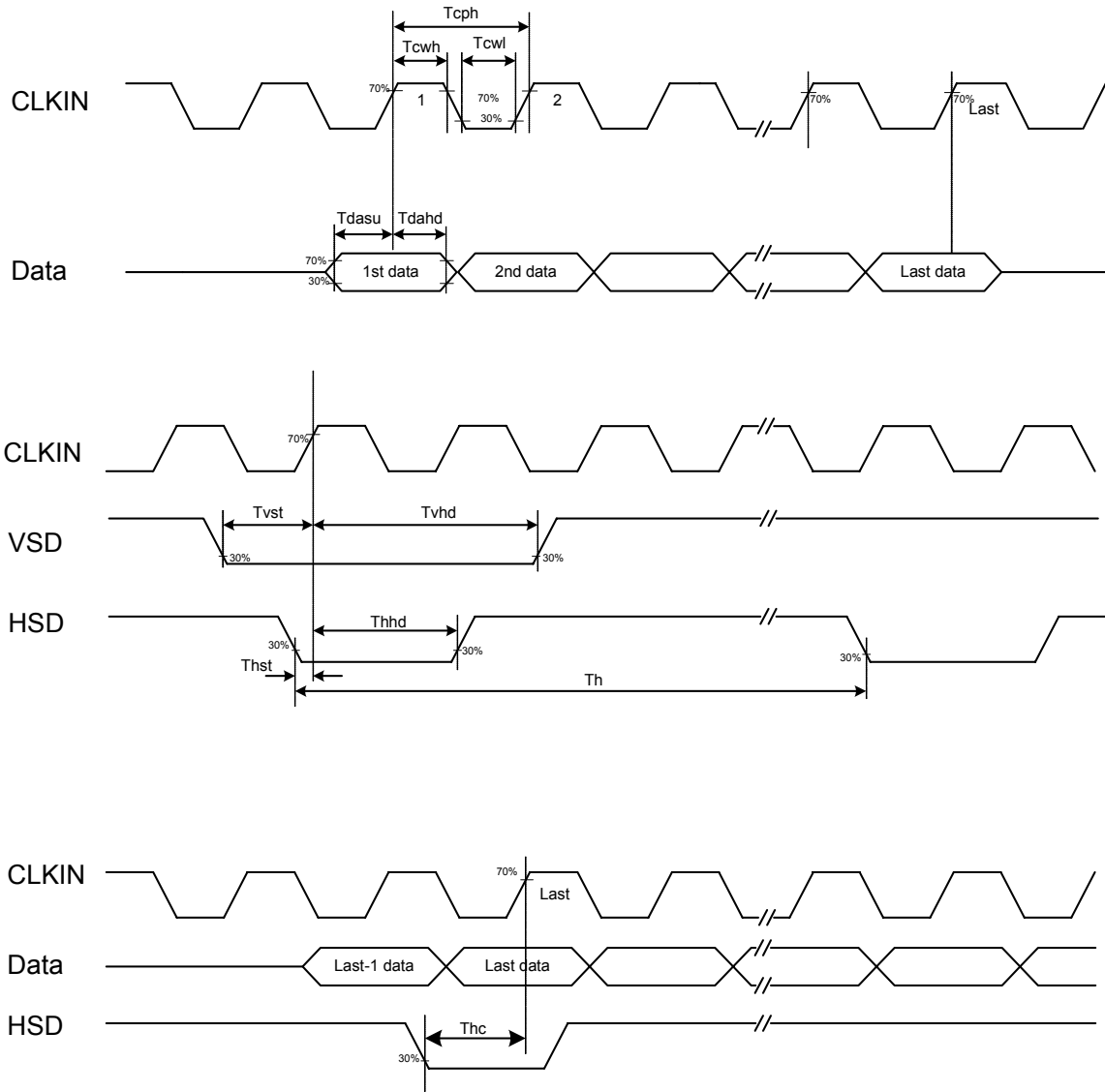
Parameter	Symbol	Min.	Typ.	Max.	Unit	Conditions
CLKIN frequency	Fclk	-	27	30	MHz	
CLKIN cycle time	Tcph	33	37	-	ns	
CLK pulse duty	Tcw	40	50	60	%	Tcph
Time that the HSD to Source output	Thso	-	3.5	-	CLKIN	
Time that the HSD to Gate output	Thgo	-	64.5	-	CLKIN	
Time that the HSD to Gate output off	Thgz	-	22.5	-	CLKIN	

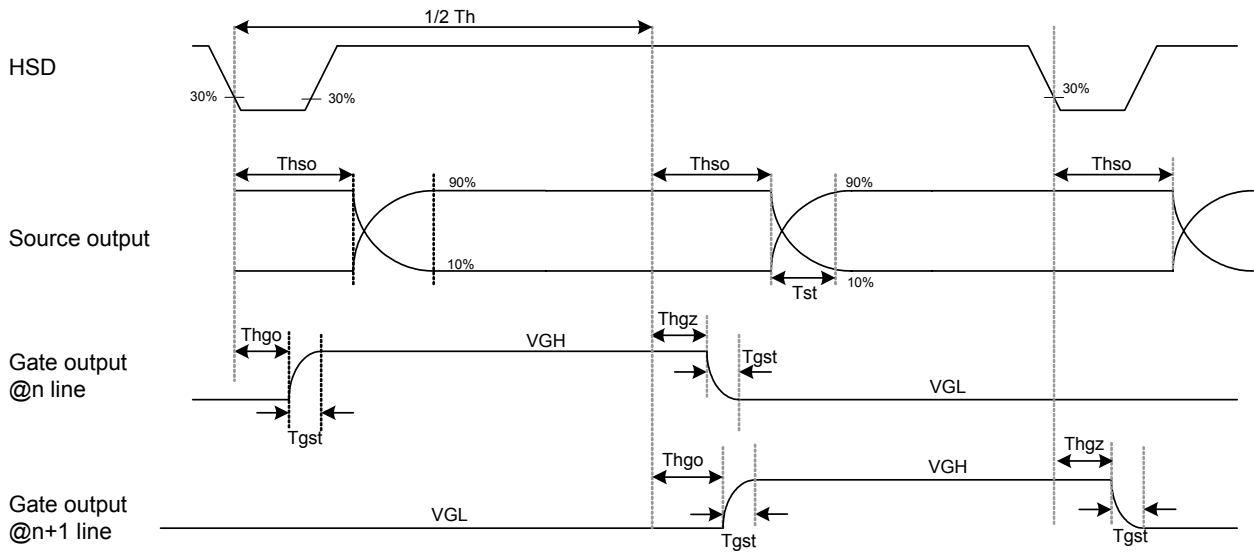
Parallel RGB

AC Electrical Characteristics (VDD =3.0~3.6V, VDDIO=AVDD=VDD, AGND=GND=0V, TA=25°C)

Parameter	Symbol	Min.	Typ.	Max.	Unit	Conditions
CLKIN frequency	Fclk	-	6.2	7.5	MHz	
CLKIN cycle time	Tcph	-	161	-	ns	
CLK pulse duty	Tcw	40	50	60	%	Tcph
Time that the HSD to Source output	Thso	-	3.5	-	CLKIN	
Time that the HSD to Gate output	Thgo	-	16.5	-	CLKIN	
Time that the HSD to Gate output off	Thgz	-	4.5	-	CLKIN	

Timing Waveform

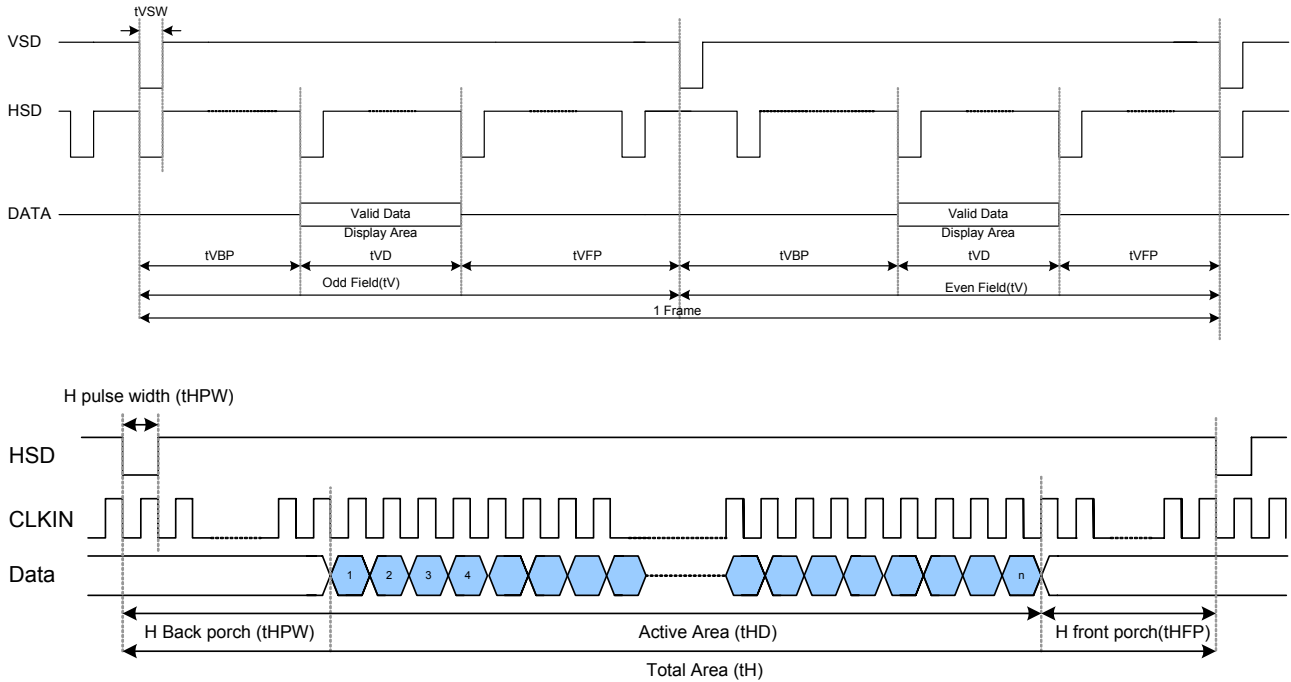




13. Input Timing Waveform

13.1. Input Timing Chart

8-bit RGB/8-bit Dummy RGB/YUV /Parallel RGB Input Timing Chart



13.2. 8-bit RGB Input Timing

Parameter	Symbol	Interface			Unit
		Min.	Typ.	Max.	
CLKIN frequency	fCLKIN	13.5	27	27.19	MHz
HSD period	tH	1024	1716	1728	CLKIN
HSD display period	tHD	960			CLKIN
HSD back porch	tHBP	50	70	255	CLKIN
HSD front porch	tHFP	14	686	718	CLKIN
HSD pulse width	tHSW	1	1	tHBP-1	CLKIN
VSD period time	tV	242.5	262.5	450.5	H
Vertical display area	tVD	240			H
VSD back porch	tVBP	Odd field	1	21	H
		Even field	1.5	31.5	
VSD front porch	tVFP	Odd field	1.5	179.5	H
		Even field	1	179	
VSD pulse width	tVSW	1CLKIN	1CLKIN	6H	
1 Frame		485	525	901	H

13.3. 8-bit Dummy RGB Input Timing

8-bit Dummy RGB (320 mode/NTSC/24.535Mhz) Input Timing

Parameter	Symbol	Interface			Unit	
		Min.	Typ.	Max.		
CLKIN frequency	fCLKIN	20.45	24.535	30	MHz	
HSD period	tH	1306	1560	1907	CLKIN	
HSD display period	tHD	1280			CLKIN	
HSD back porch	tHBP	40	241	255	CLKIN	
HSD front porch	tHFP	0	39	372	CLKIN	
HSD pulse width	tHSW	1	1	200	CLKIN	
VSD period time	tV	242.5	262.5	450.5	H	
Vertical display area	tVD	240			H	
VSD back porch	Odd field	tVBP	1	21	31	H
	Even field		1.5	21.5		
VSD front porch	Odd field	tVFP	1.5	1.5	179.5	H
	Even field		1	1	179	
VSD pulse width	tVSW	1	1	200	CLKIN	
1 Frame		485	525	901	H	

8-bit Dummy RGB (320 mode/PAL/24.375Mhz) Input Timing

Parameter	Symbol	Interface			Unit	
		Min.	Typ.	Max.		
CLKIN frequency	fCLKIN	20.45	24.375	30	MHz	
HSD period	tH	1306	1560	1920	CLKIN	
HSD display period	tHD	1280			CLKIN	
HSD back porch	tHBP	3	241	255	CLKIN	
HSD front porch	tHFP	25	39	385	CLKIN	
HSD pulse width	tHSW	1	1	200	CLKIN	
VSD period time	tV	292.5	312.5	450.5	H	
Vertical display area	tVD	288			H	
VSD back porch	Odd field	tVBP	3	23	34	H
	Even field		3.5	23.5		
VSD front porch	Odd field	tVFP	1.5	1.5	128.5	H
	Even field		1	1	128	
VSD pulse width	tVSW	1	1	200	CLKIN	
1 Frame		585	625	901	H	

8-bit Dummy RGB (360 mode/NTSC/27Mhz) Input Timing

Parameter	Symbol	Interface			Unit	
		Min.	Typ.	Max.		
CLKIN frequency	fCLKIN	23	27	30	MHz	
HSD period	tH	1466	1716	1907	CLKIN	
HSD display period	tHD	1440			CLKIN	
HSD back porch	tHBP	3	241	255	CLKIN	
HSD front porch	tHFP	25	35	212	CLKIN	
HSD pulse width	tHSW	1	1	200	CLKIN	
VSD period time	tV	242.5	262.5	450.5	H	
Vertical display area	tVD	240			H	
VSD back porch	Odd field	tVBP	1	21	31	H
	Even field		1.5	21.5		
VSD front porch	Odd field	tVFP	1.5	1.5	179.5	H
	Even field		1	1	179	
VSD pulse width	tVSW	1	1	200	CLKIN	
1 Frame		485	525	901	H	

8-bit Dummy RGB (360 mode/PAL/27Mhz) Input Timing

Parameter	Symbol	Interface			Unit	
		Min.	Typ.	Max.		
CLKIN frequency	fCLKIN	23	27	30	MHz	
HSD period	tH	1466	1728	1920	CLKIN	
HSD display period	tHD	1440			CLKIN	
HSD back porch	tHBP	3	241	255	CLKIN	
HSD front porch	tHFP	25	47	225	CLKIN	
HSD pulse width	tHSW	1	1	200	CLKIN	
VSD period time	tV	292.5	312.5	450.5	H	
Vertical display area	tVD	288			H	
VSD back porch	Odd field	tVBP	3	23	34	H
	Even field		3.5	23.5		
VSD front porch	Odd field	tVFP	1.5	1.5	128.5	H
	Even field		1	1	128	
VSD pulse width	tVSW	1	1	200	CLKIN	
1 Frame		585	625	901	H	

13.4. YUV720 and YUV640 Input Timing

YUV 720 mode/NTSC Input Timing

Parameter	Symbol	Interface			Unit
		Min.	Typ.	Max.	
CLKIN frequency	fCLKIN	-	27	-	MHz
HSD period	tH	-	1716	-	CLKIN
HSD display period	tHD		1440		CLKIN
HSD back porch	tHBP	-	240	-	CLKIN
HSD front porch	tHFP	-	36	-	CLKIN
HSD pulse width	tHSW	-	1	-	CLKIN
VSD period time	tV	-	262.5	-	H
Vertical display area	tVD		240		H
VSD back porch	Odd field	-	21	-	H
	Even field	-	21.5	-	
VSD front porch	Odd field	-	1.5	-	H
	Even field	-	1	-	
VSD pulse width	tVSW	-	1	-	CLKIN
1 Frame		-	525	-	H

YUV 720 mode/PAL Input Timing

Parameter	Symbol	Interface			Unit
		Min.	Typ.	Max.	
CLKIN frequency	fCLKIN	-	27	-	MHz
HSD period	tH	-	1728	-	CLKIN
HSD display period	tHD		1440		CLKIN
HSD back porch	tHBP	-	240	-	CLKIN
HSD front porch	tHFP	-	48	-	CLKIN
HSD pulse width	tHSW	-	1	-	CLKIN
VSD period time	tV	-	312.5	-	H
Vertical display area	tVD		288		H
VSD back porch	Odd field	-	24	-	H
	Even field	-	24.5	-	
VSD front porch	Odd field	-	0.5	-	H
	Even field	-	0	-	
VSD pulse width	tVSW	-	1	-	CLKIN
1 Frame		-	625	-	H

YUV 640 mode/NTSC Input Timing

Parameter	Symbol	Interface			Unit
		Min.	Typ.	Max.	
CLKIN frequency	fCLKIN	-	24.535	-	MHz
HSD period	tH	-	1560	-	CLKIN
HSD display period	tHD		1280		CLKIN
HSD back porch	tHBP	-	240	-	CLKIN
HSD front porch	tHFP	-	40	-	CLKIN
HSD pulse width	tHSW	-	1	-	CLKIN
VSD period time	tV	-	262.5	-	H
Vertical display area	tVD		240		H
VSD back porch	Odd field	-	21	-	H
	Even field	-	21.5	-	
VSD front porch	Odd field	-	1.5	-	H
	Even field	-	1	-	
VSD pulse width	tVSW	-	1	-	CLKIN
1 Frame		-	525	-	H

YUV 640 mode/PAL Input Timing

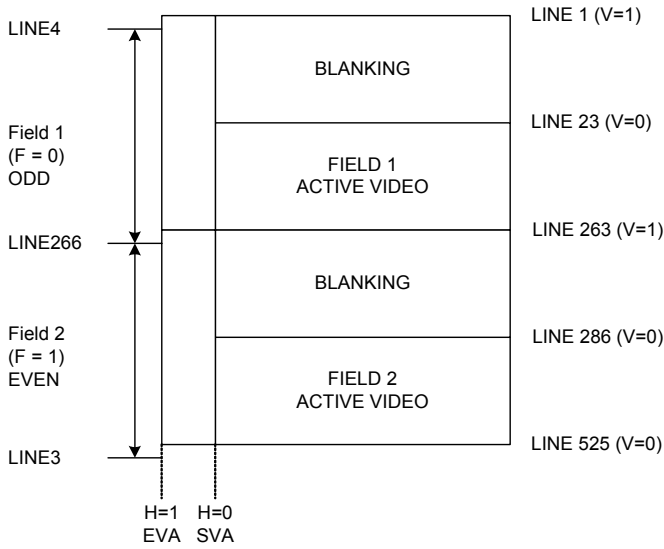
Parameter	Symbol	Interface			Unit	
		Min.	Typ.	Max.		
CLKIN frequency	fCLKIN	-	24.375	-	MHz	
HSD period	tH	-	1560	-	CLKIN	
HSD display period	tHD		1280		CLKIN	
HSD back porch	tHBP	-	240	-	CLKIN	
HSD front porch	tHFP	-	40	-	CLKIN	
HSD pulse width	tHSW	-	1	-	CLKIN	
VSD period time	tV	-	312.5	-	H	
Vertical display area	tVD		288		H	
VSD back porch	Odd field	tVBP	-	24	-	H
	Even field		-	24.5	-	
VSD front porch	Odd field	tVFP	-	0.5	-	H
	Even field		-	0	-	
VSD pulse width	tVSW	-	1	-	CLKIN	
1 Frame		-	625	-	H	

13.5. Parallel RGB Input Timing

Parameter	Symbol	Interface			Unit
		Min.	Typ.	Max.	
CLKIN frequency	fCLKIN	-	6.2	7.5	MHz
HSD period	tH	-	390	-	CLKIN
HSD display period	tHD		320		CLKIN
HSD back porch	tHBP	40	61	-	CLKIN
HSD front porch	tHFP	-	9	-	CLKIN
HSD pulse width	tHSW	-	1	-	CLKIN
VSD period time	tV	-	262.5	-	H
Vertical display area	tVD		240		H
VSD back porch	Odd field	tVBP	-	21	H
	Even field		-	21.5	
VSD front porch	Odd field	tVFP	-	1.5	H
	Even field		-	1	
VSD pulse width	tVSW	-	1	-	CLKIN
1 Frame		-	525	-	H

13.5.1. CCIR656 Vertical Input Timing

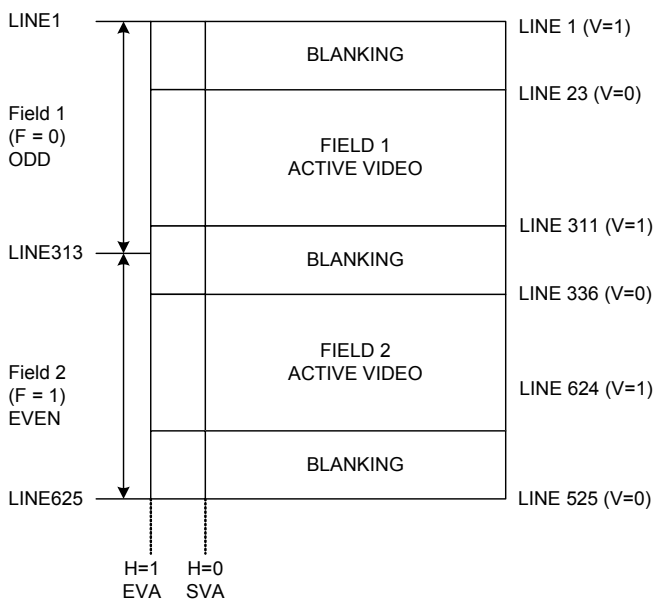
NTSC mode



LINE NUMBER	F	V	H (EVA)	H (SVA)
1-3	1	1	1	0
4-22	0	1	1	0
23-262	0	0	1	0
263-265	0	1	1	0
266-285	1	1	1	0
286-525	1	0	1	0

	F	H	V
1	EVEN Field	EAV	BLANKING
0	ODD Field	SAV	ACTIVE VIDEO

PAL mode



LINE NUMBER	F	V	H (EVA)	H (SVA)
1-22	0	1	1	0
23-310	0	0	1	0
311-312	0	1	1	0
313-335	1	1	1	0
336-623	1	0	1	0
624-625	1	1	1	0

	F	H	V
1	EVEN Field	EAV	BLANKING
0	ODD Field	SAV	ACTIVE VIDEO

14. Pad Location

Num	Pad Name	CX	CY	Num	Pad Name	CX	CY	Num	Pad Name	CX	CY
1	SHIELDING1	-8306	-256	61	DG1	-2745	-256	121	CP3M	2655	-256
2	COM1_L	-8055	-256	62	DG0	-2655	-256	122	CP3M	2745	-256
3	COM1_L	-7965	-256	63	DG0	-2565	-256	123	VINT2	2835	-256
4	COM1_L	-7875	-256	64	DR7	-2475	-256	124	VINT2	2925	-256
5	SHIELDING2	-7785	-256	65	DR7	-2385	-256	125	VINT2	3015	-256
6	VPP_MTP	-7695	-256	66	DR6	-2295	-256	126	VINT3	3105	-256
7	VPP_MTP	-7605	-256	67	DR6	-2205	-256	127	VINT3	3195	-256
8	VPP_MTP	-7515	-256	68	DR5	-2115	-256	128	VINT3	3285	-256
9	VPP_MTP	-7425	-256	69	DR5	-2025	-256	129	CP4P	3375	-256
10	STBYB	-7335	-256	70	DR4	-1935	-256	130	CP4P	3465	-256
11	STBYB	-7245	-256	71	DR4	-1845	-256	131	CP4P	3555	-256
12	RSTB	-7155	-256	72	DR3	-1755	-256	132	CP4M	3645	-256
13	RSTB	-7065	-256	73	DR3	-1665	-256	133	CP4M	3735	-256
14	CHNSL	-6975	-256	74	DR2	-1575	-256	134	CP4M	3825	-256
15	CHNSL	-6885	-256	75	DR2	-1485	-256	135	VGH	3915	-256
16	PSEL	-6795	-256	76	DR1	-1395	-256	136	VGH	4005	-256
17	PSEL	-6705	-256	77	DR1	-1305	-256	137	VGH	4095	-256
18	SPENB	-6615	-256	78	DR0	-1215	-256	138	VGL	4185	-256
19	SPENB	-6525	-256	79	DR0	-1125	-256	139	VGL	4275	-256
20	SPDA	-6435	-256	80	GND	-1035	-256	140	VGL	4365	-256
21	SPDA	-6345	-256	81	GND	-945	-256	141	AGND	4455	-256
22	SPCK	-6255	-256	82	GND	-855	-256	142	AGND	4545	-256
23	SPCK	-6165	-256	83	GND	-765	-256	143	AGND	4635	-256
24	DEN	-6075	-256	84	VDD	-675	-256	144	SHIELDING3	4725	-256
25	DEN	-5985	-256	85	VDD	-585	-256	145	FRP	4815	-256
26	HSD	-5895	-256	86	VDD	-495	-256	146	FRP	4905	-256
27	HSD	-5805	-256	87	AVDD	-405	-256	147	FRP	4995	-256
28	VSD	-5715	-256	88	AVDD	-315	-256	148	VCOMDC	5085	-256
29	VSD	-5625	-256	89	AVDD	-225	-256	149	VCOMDC	5175	-256
30	CLKIN	-5535	-256	90	VDDIO	-135	-256	150	VCAC	5265	-256
31	CLKIN	-5445	-256	91	VDDIO	-45	-256	151	VCAC	5355	-256
32	DB7	-5355	-256	92	VDDIO	45	-256	152	VCAC	5445	-256
33	DB7	-5265	-256	93	DVDD	135	-256	153	SHIELDING4	5535	-256
34	DB6	-5175	-256	94	DVDD	225	-256	154	DRV	5625	-256
35	DB6	-5085	-256	95	DVDD	315	-256	155	DRV	5715	-256
36	DB5	-4995	-256	96	CP1P	405	-256	156	FB_N	5805	-256
37	DB5	-4905	-256	97	CP1P	495	-256	157	FB_N	5895	-256
38	DB4	-4815	-256	98	CP1P	585	-256	158	FB_P	5985	-256
39	DB4	-4725	-256	99	CP1M	675	-256	159	FB_P	6075	-256
40	DB3	-4635	-256	100	CP1M	765	-256	160	FB	6165	-256
41	DB3	-4545	-256	101	CP1M	855	-256	161	FB	6255	-256
42	DB2	-4455	-256	102	CP5P	945	-256	162	TEST3	6345	-256
43	DB2	-4365	-256	103	CP5P	1035	-256	163	TEST2	6435	-256
44	DB1	-4275	-256	104	CP5P	1125	-256	164	TEST1	6525	-256
45	DB1	-4185	-256	105	CP5M	1215	-256	165	TEST0	6615	-256
46	DB0	-4095	-256	106	CP5M	1305	-256	166	T_O3	6705	-256
47	DB0	-4005	-256	107	CP5M	1395	-256	167	T_O2	6795	-256
48	DG7	-3915	-256	108	CP2P	1485	-256	168	T_O1	6885	-256
49	DG7	-3825	-256	109	CP2P	1575	-256	169	T_O0	6975	-256
50	DG6	-3735	-256	110	CP2P	1665	-256	170	T_IO7	7065	-256
51	DG6	-3645	-256	111	CP2M	1755	-256	171	T_IO6	7155	-256
52	DG5	-3555	-256	112	CP2M	1845	-256	172	T_IO5	7245	-256
53	DG5	-3465	-256	113	CP2M	1935	-256	173	T_IO4	7335	-256
54	DG4	-3375	-256	114	VINT1	2025	-256	174	T_IO3	7425	-256
55	DG4	-3285	-256	115	VINT1	2115	-256	175	T_IO2	7515	-256
56	DG3	-3195	-256	116	VINT1	2205	-256	176	T_IO1	7605	-256
57	DG3	-3105	-256	117	CP3P	2295	-256	177	T_IO0	7695	-256
58	DG2	-3015	-256	118	CP3P	2385	-256	178	SHIELDING5	7785	-256
59	DG2	-2925	-256	119	CP3P	2475	-256	179	COM2_L	7875	-256
60	DG1	-2835	-256	120	CP3M	2565	-256	180	COM2_L	7965	-256

Num	Pad Name	CX	CY	Num	Pad Name	CX	CY	Num	Pad Name	CX	CY
181	COM2_L	8055	-256	241	S_58	7335.5	258.5	301	S_118	6315.5	258.5
182	SHIELDING6	8306	-256	242	S_59	7318.5	113.5	302	S_119	6298.5	113.5
183	SHIELDING7	8332.5	258.5	243	S_60	7301.5	258.5	303	S_120	6281.5	258.5
184	S_1	8304.5	113.5	244	S_61	7284.5	113.5	304	S_121	6264.5	113.5
185	S_2	8287.5	258.5	245	S_62	7267.5	258.5	305	S_122	6247.5	258.5
186	S_3	8270.5	113.5	246	S_63	7250.5	113.5	306	S_123	6230.5	113.5
187	S_4	8253.5	258.5	247	S_64	7233.5	258.5	307	S_124	6213.5	258.5
188	S_5	8236.5	113.5	248	S_65	7216.5	113.5	308	S_125	6196.5	113.5
189	S_6	8219.5	258.5	249	S_66	7199.5	258.5	309	S_126	6179.5	258.5
190	S_7	8202.5	113.5	250	S_67	7182.5	113.5	310	S_127	6162.5	113.5
191	S_8	8185.5	258.5	251	S_68	7165.5	258.5	311	S_128	6145.5	258.5
192	S_9	8168.5	113.5	252	S_69	7148.5	113.5	312	S_129	6128.5	113.5
193	S_10	8151.5	258.5	253	S_70	7131.5	258.5	313	S_130	6111.5	258.5
194	S_11	8134.5	113.5	254	S_71	7114.5	113.5	314	S_131	6094.5	113.5
195	S_12	8117.5	258.5	255	S_72	7097.5	258.5	315	S_132	6077.5	258.5
196	S_13	8100.5	113.5	256	S_73	7080.5	113.5	316	S_133	6060.5	113.5
197	S_14	8083.5	258.5	257	S_74	7063.5	258.5	317	S_134	6043.5	258.5
198	S_15	8066.5	113.5	258	S_75	7046.5	113.5	318	S_135	6026.5	113.5
199	S_16	8049.5	258.5	259	S_76	7029.5	258.5	319	S_136	6009.5	258.5
200	S_17	8032.5	113.5	260	S_77	7012.5	113.5	320	S_137	5992.5	113.5
201	S_18	8015.5	258.5	261	S_78	6995.5	258.5	321	S_138	5975.5	258.5
202	S_19	7998.5	113.5	262	S_79	6978.5	113.5	322	S_139	5958.5	113.5
203	S_20	7981.5	258.5	263	S_80	6961.5	258.5	323	S_140	5941.5	258.5
204	S_21	7964.5	113.5	264	S_81	6944.5	113.5	324	S_141	5924.5	113.5
205	S_22	7947.5	258.5	265	S_82	6927.5	258.5	325	S_142	5907.5	258.5
206	S_23	7930.5	113.5	266	S_83	6910.5	113.5	326	S_143	5890.5	113.5
207	S_24	7913.5	258.5	267	S_84	6893.5	258.5	327	S_144	5873.5	258.5
208	S_25	7896.5	113.5	268	S_85	6876.5	113.5	328	S_145	5856.5	113.5
209	S_26	7879.5	258.5	269	S_86	6859.5	258.5	329	S_146	5839.5	258.5
210	S_27	7862.5	113.5	270	S_87	6842.5	113.5	330	S_147	5822.5	113.5
211	S_28	7845.5	258.5	271	S_88	6825.5	258.5	331	S_148	5805.5	258.5
212	S_29	7828.5	113.5	272	S_89	6808.5	113.5	332	S_149	5788.5	113.5
213	S_30	7811.5	258.5	273	S_90	6791.5	258.5	333	S_150	5771.5	258.5
214	S_31	7794.5	113.5	274	S_91	6774.5	113.5	334	S_151	5754.5	113.5
215	S_32	7777.5	258.5	275	S_92	6757.5	258.5	335	S_152	5737.5	258.5
216	S_33	7760.5	113.5	276	S_93	6740.5	113.5	336	S_153	5720.5	113.5
217	S_34	7743.5	258.5	277	S_94	6723.5	258.5	337	S_154	5703.5	258.5
218	S_35	7726.5	113.5	278	S_95	6706.5	113.5	338	S_155	5686.5	113.5
219	S_36	7709.5	258.5	279	S_96	6689.5	258.5	339	S_156	5669.5	258.5
220	S_37	7692.5	113.5	280	S_97	6672.5	113.5	340	S_157	5652.5	113.5
221	S_38	7675.5	258.5	281	S_98	6655.5	258.5	341	S_158	5635.5	258.5
222	S_39	7658.5	113.5	282	S_99	6638.5	113.5	342	S_159	5618.5	113.5
223	S_40	7641.5	258.5	283	S_100	6621.5	258.5	343	S_160	5601.5	258.5
224	S_41	7624.5	113.5	284	S_101	6604.5	113.5	344	S_161	5584.5	113.5
225	S_42	7607.5	258.5	285	S_102	6587.5	258.5	345	S_162	5567.5	258.5
226	S_43	7590.5	113.5	286	S_103	6570.5	113.5	346	S_163	5550.5	113.5
227	S_44	7573.5	258.5	287	S_104	6553.5	258.5	347	S_164	5533.5	258.5
228	S_45	7556.5	113.5	288	S_105	6536.5	113.5	348	S_165	5516.5	113.5
229	S_46	7539.5	258.5	289	S_106	6519.5	258.5	349	S_166	5499.5	258.5
230	S_47	7522.5	113.5	290	S_107	6502.5	113.5	350	S_167	5482.5	113.5
231	S_48	7505.5	258.5	291	S_108	6485.5	258.5	351	S_168	5465.5	258.5
232	S_49	7488.5	113.5	292	S_109	6468.5	113.5	352	S_169	5448.5	113.5
233	S_50	7471.5	258.5	293	S_110	6451.5	258.5	353	S_170	5431.5	258.5
234	S_51	7454.5	113.5	294	S_111	6434.5	113.5	354	S_171	5414.5	113.5
235	S_52	7437.5	258.5	295	S_112	6417.5	258.5	355	S_172	5397.5	258.5
236	S_53	7420.5	113.5	296	S_113	6400.5	113.5	356	S_173	5380.5	113.5
237	S_54	7403.5	258.5	297	S_114	6383.5	258.5	357	S_174	5363.5	258.5
238	S_55	7386.5	113.5	298	S_115	6366.5	113.5	358	S_175	5346.5	113.5
239	S_56	7369.5	258.5	299	S_116	6349.5	258.5	359	S_176	5329.5	258.5
240	S_57	7352.5	113.5	300	S_117	6332.5	113.5	360	S_177	5312.5	113.5

Num	Pad Name	CX	CY	Num	Pad Name	CX	CY	Num	Pad Name	CX	CY
361	S_178	5295.5	258.5	421	S_238	4275.5	258.5	481	G_427	3170.5	113.5
362	S_179	5278.5	113.5	422	S_239	4258.5	113.5	482	G_426	3153.5	258.5
363	S_180	5261.5	258.5	423	S_240	4241.5	258.5	483	G_425	3136.5	113.5
364	S_181	5244.5	113.5	424	SHIELDING8	4207.5	258.5	484	G_424	3119.5	258.5
365	S_182	5227.5	258.5	425	COM2_R	4173.5	258.5	485	G_423	3102.5	113.5
366	S_183	5210.5	113.5	426	COM2_R	4139.5	258.5	486	G_422	3085.5	258.5
367	S_184	5193.5	258.5	427	SHIELDING9	4105.5	258.5	487	G_421	3068.5	113.5
368	S_185	5176.5	113.5	428	G_480	4071.5	258.5	488	G_420	3051.5	258.5
369	S_186	5159.5	258.5	429	G_479	4054.5	113.5	489	G_419	3034.5	113.5
370	S_187	5142.5	113.5	430	G_478	4037.5	258.5	490	G_418	3017.5	258.5
371	S_188	5125.5	258.5	431	G_477	4020.5	113.5	491	G_417	3000.5	113.5
372	S_189	5108.5	113.5	432	G_476	4003.5	258.5	492	G_416	2983.5	258.5
373	S_190	5091.5	258.5	433	G_475	3986.5	113.5	493	G_415	2966.5	113.5
374	S_191	5074.5	113.5	434	G_474	3969.5	258.5	494	G_414	2949.5	258.5
375	S_192	5057.5	258.5	435	G_473	3952.5	113.5	495	G_413	2932.5	113.5
376	S_193	5040.5	113.5	436	G_472	3935.5	258.5	496	G_412	2915.5	258.5
377	S_194	5023.5	258.5	437	G_471	3918.5	113.5	497	G_411	2898.5	113.5
378	S_195	5006.5	113.5	438	G_470	3901.5	258.5	498	G_410	2881.5	258.5
379	S_196	4989.5	258.5	439	G_469	3884.5	113.5	499	G_409	2864.5	113.5
380	S_197	4972.5	113.5	440	G_468	3867.5	258.5	500	G_408	2847.5	258.5
381	S_198	4955.5	258.5	441	G_467	3850.5	113.5	501	G_407	2830.5	113.5
382	S_199	4938.5	113.5	442	G_466	3833.5	258.5	502	G_406	2813.5	258.5
383	S_200	4921.5	258.5	443	G_465	3816.5	113.5	503	G_405	2796.5	113.5
384	S_201	4904.5	113.5	444	G_464	3799.5	258.5	504	G_404	2779.5	258.5
385	S_202	4887.5	258.5	445	G_463	3782.5	113.5	505	G_403	2762.5	113.5
386	S_203	4870.5	113.5	446	G_462	3765.5	258.5	506	G_402	2745.5	258.5
387	S_204	4853.5	258.5	447	G_461	3748.5	113.5	507	G_401	2728.5	113.5
388	S_205	4836.5	113.5	448	G_460	3731.5	258.5	508	G_400	2711.5	258.5
389	S_206	4819.5	258.5	449	G_459	3714.5	113.5	509	G_399	2694.5	113.5
390	S_207	4802.5	113.5	450	G_458	3697.5	258.5	510	G_398	2677.5	258.5
391	S_208	4785.5	258.5	451	G_457	3680.5	113.5	511	G_397	2660.5	113.5
392	S_209	4768.5	113.5	452	G_456	3663.5	258.5	512	G_396	2643.5	258.5
393	S_210	4751.5	258.5	453	G_455	3646.5	113.5	513	G_395	2626.5	113.5
394	S_211	4734.5	113.5	454	G_454	3629.5	258.5	514	G_394	2609.5	258.5
395	S_212	4717.5	258.5	455	G_453	3612.5	113.5	515	G_393	2592.5	113.5
396	S_213	4700.5	113.5	456	G_452	3595.5	258.5	516	G_392	2575.5	258.5
397	S_214	4683.5	258.5	457	G_451	3578.5	113.5	517	G_391	2558.5	113.5
398	S_215	4666.5	113.5	458	G_450	3561.5	258.5	518	G_390	2541.5	258.5
399	S_216	4649.5	258.5	459	G_449	3544.5	113.5	519	G_389	2524.5	113.5
400	S_217	4632.5	113.5	460	G_448	3527.5	258.5	520	G_388	2507.5	258.5
401	S_218	4615.5	258.5	461	G_447	3510.5	113.5	521	G_387	2490.5	113.5
402	S_219	4598.5	113.5	462	G_446	3493.5	258.5	522	G_386	2473.5	258.5
403	S_220	4581.5	258.5	463	G_445	3476.5	113.5	523	G_385	2456.5	113.5
404	S_221	4564.5	113.5	464	G_444	3459.5	258.5	524	G_384	2439.5	258.5
405	S_222	4547.5	258.5	465	G_443	3442.5	113.5	525	G_383	2422.5	113.5
406	S_223	4530.5	113.5	466	G_442	3425.5	258.5	526	G_382	2405.5	258.5
407	S_224	4513.5	258.5	467	G_441	3408.5	113.5	527	G_381	2388.5	113.5
408	S_225	4496.5	113.5	468	G_440	3391.5	258.5	528	G_380	2371.5	258.5
409	S_226	4479.5	258.5	469	G_439	3374.5	113.5	529	G_379	2354.5	113.5
410	S_227	4462.5	113.5	470	G_438	3357.5	258.5	530	G_378	2337.5	258.5
411	S_228	4445.5	258.5	471	G_437	3340.5	113.5	531	G_377	2320.5	113.5
412	S_229	4428.5	113.5	472	G_436	3323.5	258.5	532	G_376	2303.5	258.5
413	S_230	4411.5	258.5	473	G_435	3306.5	113.5	533	G_375	2286.5	113.5
414	S_231	4394.5	113.5	474	G_434	3289.5	258.5	534	G_374	2269.5	258.5
415	S_232	4377.5	258.5	475	G_433	3272.5	113.5	535	G_373	2252.5	113.5
416	S_233	4360.5	113.5	476	G_432	3255.5	258.5	536	G_372	2235.5	258.5
417	S_234	4343.5	258.5	477	G_431	3238.5	113.5	537	G_371	2218.5	113.5
418	S_235	4326.5	113.5	478	G_430	3221.5	258.5	538	G_370	2201.5	258.5
419	S_236	4309.5	258.5	479	G_429	3204.5	113.5	539	G_369	2184.5	113.5
420	S_237	4292.5	113.5	480	G_428	3187.5	258.5	540	G_368	2167.5	258.5

Num	Pad Name	CX	CY	Num	Pad Name	CX	CY	Num	Pad Name	CX	CY
541	G_367	2150.5	113.5	601	G_307	1130.5	113.5	661	G_247	110.5	113.5
542	G_366	2133.5	258.5	602	G_306	1113.5	258.5	662	G_246	93.5	258.5
543	G_365	2116.5	113.5	603	G_305	1096.5	113.5	663	G_245	76.5	113.5
544	G_364	2099.5	258.5	604	G_304	1079.5	258.5	664	G_244	59.5	258.5
545	G_363	2082.5	113.5	605	G_303	1062.5	113.5	665	G_243	42.5	113.5
546	G_362	2065.5	258.5	606	G_302	1045.5	258.5	666	G_242	25.5	258.5
547	G_361	2048.5	113.5	607	G_301	1028.5	113.5	667	G_241	8.5	113.5
548	G_360	2031.5	258.5	608	G_300	1011.5	258.5	668	G_240	-8.5	258.5
549	G_359	2014.5	113.5	609	G_299	994.5	113.5	669	G_239	-25.5	113.5
550	G_358	1997.5	258.5	610	G_298	977.5	258.5	670	G_238	-42.5	258.5
551	G_357	1980.5	113.5	611	G_297	960.5	113.5	671	G_237	-59.5	113.5
552	G_356	1963.5	258.5	612	G_296	943.5	258.5	672	G_236	-76.5	258.5
553	G_355	1946.5	113.5	613	G_295	926.5	113.5	673	G_235	-93.5	113.5
554	G_354	1929.5	258.5	614	G_294	909.5	258.5	674	G_234	-110.5	258.5
555	G_353	1912.5	113.5	615	G_293	892.5	113.5	675	G_233	-127.5	113.5
556	G_352	1895.5	258.5	616	G_292	875.5	258.5	676	G_232	-144.5	258.5
557	G_351	1878.5	113.5	617	G_291	858.5	113.5	677	G_231	-161.5	113.5
558	G_350	1861.5	258.5	618	G_290	841.5	258.5	678	G_230	-178.5	258.5
559	G_349	1844.5	113.5	619	G_289	824.5	113.5	679	G_229	-195.5	113.5
560	G_348	1827.5	258.5	620	G_288	807.5	258.5	680	G_228	-212.5	258.5
561	G_347	1810.5	113.5	621	G_287	790.5	113.5	681	G_227	-229.5	113.5
562	G_346	1793.5	258.5	622	G_286	773.5	258.5	682	G_226	-246.5	258.5
563	G_345	1776.5	113.5	623	G_285	756.5	113.5	683	G_225	-263.5	113.5
564	G_344	1759.5	258.5	624	G_284	739.5	258.5	684	G_224	-280.5	258.5
565	G_343	1742.5	113.5	625	G_283	722.5	113.5	685	G_223	-297.5	113.5
566	G_342	1725.5	258.5	626	G_282	705.5	258.5	686	G_222	-314.5	258.5
567	G_341	1708.5	113.5	627	G_281	688.5	113.5	687	G_221	-331.5	113.5
568	G_340	1691.5	258.5	628	G_280	671.5	258.5	688	G_220	-348.5	258.5
569	G_339	1674.5	113.5	629	G_279	654.5	113.5	689	G_219	-365.5	113.5
570	G_338	1657.5	258.5	630	G_278	637.5	258.5	690	G_218	-382.5	258.5
571	G_337	1640.5	113.5	631	G_277	620.5	113.5	691	G_217	-399.5	113.5
572	G_336	1623.5	258.5	632	G_276	603.5	258.5	692	G_216	-416.5	258.5
573	G_335	1606.5	113.5	633	G_275	586.5	113.5	693	G_215	-433.5	113.5
574	G_334	1589.5	258.5	634	G_274	569.5	258.5	694	G_214	-450.5	258.5
575	G_333	1572.5	113.5	635	G_273	552.5	113.5	695	G_213	-467.5	113.5
576	G_332	1555.5	258.5	636	G_272	535.5	258.5	696	G_212	-484.5	258.5
577	G_331	1538.5	113.5	637	G_271	518.5	113.5	697	G_211	-501.5	113.5
578	G_330	1521.5	258.5	638	G_270	501.5	258.5	698	G_210	-518.5	258.5
579	G_329	1504.5	113.5	639	G_269	484.5	113.5	699	G_209	-535.5	113.5
580	G_328	1487.5	258.5	640	G_268	467.5	258.5	700	G_208	-552.5	258.5
581	G_327	1470.5	113.5	641	G_267	450.5	113.5	701	G_207	-569.5	113.5
582	G_326	1453.5	258.5	642	G_266	433.5	258.5	702	G_206	-586.5	258.5
583	G_325	1436.5	113.5	643	G_265	416.5	113.5	703	G_205	-603.5	113.5
584	G_324	1419.5	258.5	644	G_264	399.5	258.5	704	G_204	-620.5	258.5
585	G_323	1402.5	113.5	645	G_263	382.5	113.5	705	G_203	-637.5	113.5
586	G_322	1385.5	258.5	646	G_262	365.5	258.5	706	G_202	-654.5	258.5
587	G_321	1368.5	113.5	647	G_261	348.5	113.5	707	G_201	-671.5	113.5
588	G_320	1351.5	258.5	648	G_260	331.5	258.5	708	G_200	-688.5	258.5
589	G_319	1334.5	113.5	649	G_259	314.5	113.5	709	G_199	-705.5	113.5
590	G_318	1317.5	258.5	650	G_258	297.5	258.5	710	G_198	-722.5	258.5
591	G_317	1300.5	113.5	651	G_257	280.5	113.5	711	G_197	-739.5	113.5
592	G_316	1283.5	258.5	652	G_256	263.5	258.5	712	G_196	-756.5	258.5
593	G_315	1266.5	113.5	653	G_255	246.5	113.5	713	G_195	-773.5	113.5
594	G_314	1249.5	258.5	654	G_254	229.5	258.5	714	G_194	-790.5	258.5
595	G_313	1232.5	113.5	655	G_253	212.5	113.5	715	G_193	-807.5	113.5
596	G_312	1215.5	258.5	656	G_252	195.5	258.5	716	G_192	-824.5	258.5
597	G_311	1198.5	113.5	657	G_251	178.5	113.5	717	G_191	-841.5	113.5
598	G_310	1181.5	258.5	658	G_250	161.5	258.5	718	G_190	-858.5	258.5
599	G_309	1164.5	113.5	659	G_249	144.5	113.5	719	G_189	-875.5	113.5
600	G_308	1147.5	258.5	660	G_248	127.5	258.5	720	G_188	-892.5	258.5

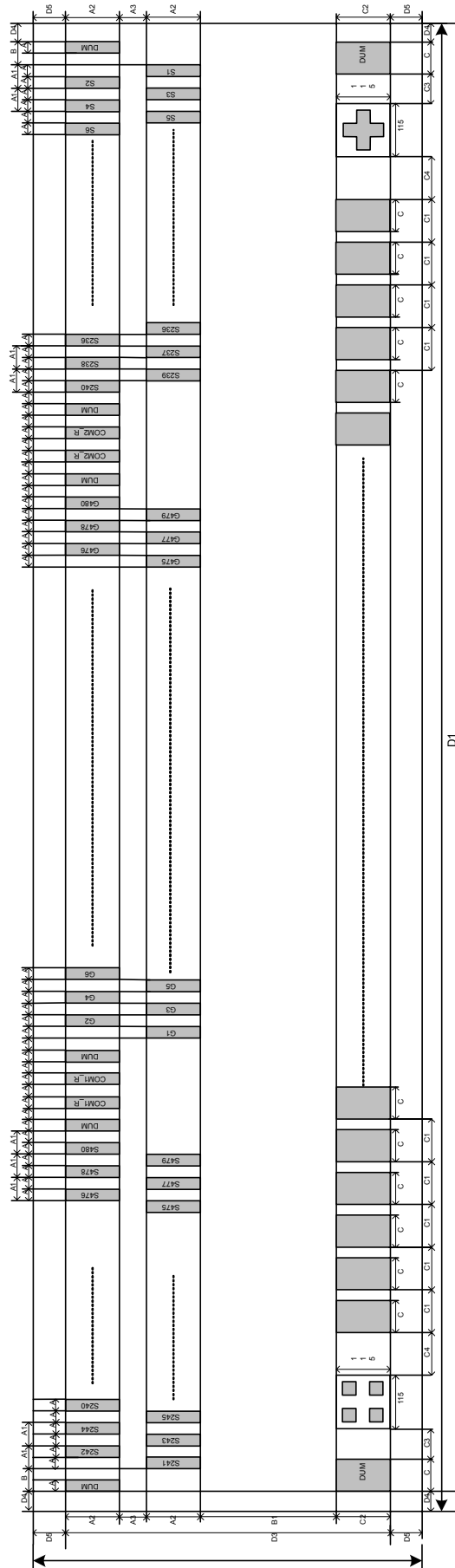
Num	Pad Name	CX	CY	Num	Pad Name	CX	CY	Num	Pad Name	CX	CY
721	G_187	-909.5	113.5	781	G_127	-1929.5	113.5	841	G_67	-2949.5	113.5
722	G_186	-926.5	258.5	782	G_126	-1946.5	258.5	842	G_66	-2966.5	258.5
723	G_185	-943.5	113.5	783	G_125	-1963.5	113.5	843	G_65	-2983.5	113.5
724	G_184	-960.5	258.5	784	G_124	-1980.5	258.5	844	G_64	-3000.5	258.5
725	G_183	-977.5	113.5	785	G_123	-1997.5	113.5	845	G_63	-3017.5	113.5
726	G_182	-994.5	258.5	786	G_122	-2014.5	258.5	846	G_62	-3034.5	258.5
727	G_181	-1011.5	113.5	787	G_121	-2031.5	113.5	847	G_61	-3051.5	113.5
728	G_180	-1028.5	258.5	788	G_120	-2048.5	258.5	848	G_60	-3068.5	258.5
729	G_179	-1045.5	113.5	789	G_119	-2065.5	113.5	849	G_59	-3085.5	113.5
730	G_178	-1062.5	258.5	790	G_118	-2082.5	258.5	850	G_58	-3102.5	258.5
731	G_177	-1079.5	113.5	791	G_117	-2099.5	113.5	851	G_57	-3119.5	113.5
732	G_176	-1096.5	258.5	792	G_116	-2116.5	258.5	852	G_56	-3136.5	258.5
733	G_175	-1113.5	113.5	793	G_115	-2133.5	113.5	853	G_55	-3153.5	113.5
734	G_174	-1130.5	258.5	794	G_114	-2150.5	258.5	854	G_54	-3170.5	258.5
735	G_173	-1147.5	113.5	795	G_113	-2167.5	113.5	855	G_53	-3187.5	113.5
736	G_172	-1164.5	258.5	796	G_112	-2184.5	258.5	856	G_52	-3204.5	258.5
737	G_171	-1181.5	113.5	797	G_111	-2201.5	113.5	857	G_51	-3221.5	113.5
738	G_170	-1198.5	258.5	798	G_110	-2218.5	258.5	858	G_50	-3238.5	258.5
739	G_169	-1215.5	113.5	799	G_109	-2235.5	113.5	859	G_49	-3255.5	113.5
740	G_168	-1232.5	258.5	800	G_108	-2252.5	258.5	860	G_48	-3272.5	258.5
741	G_167	-1249.5	113.5	801	G_107	-2269.5	113.5	861	G_47	-3289.5	113.5
742	G_166	-1266.5	258.5	802	G_106	-2286.5	258.5	862	G_46	-3306.5	258.5
743	G_165	-1283.5	113.5	803	G_105	-2303.5	113.5	863	G_45	-3323.5	113.5
744	G_164	-1300.5	258.5	804	G_104	-2320.5	258.5	864	G_44	-3340.5	258.5
745	G_163	-1317.5	113.5	805	G_103	-2337.5	113.5	865	G_43	-3357.5	113.5
746	G_162	-1334.5	258.5	806	G_102	-2354.5	258.5	866	G_42	-3374.5	258.5
747	G_161	-1351.5	113.5	807	G_101	-2371.5	113.5	867	G_41	-3391.5	113.5
748	G_160	-1368.5	258.5	808	G_100	-2388.5	258.5	868	G_40	-3408.5	258.5
749	G_159	-1385.5	113.5	809	G_99	-2405.5	113.5	869	G_39	-3425.5	113.5
750	G_158	-1402.5	258.5	810	G_98	-2422.5	258.5	870	G_38	-3442.5	258.5
751	G_157	-1419.5	113.5	811	G_97	-2439.5	113.5	871	G_37	-3459.5	113.5
752	G_156	-1436.5	258.5	812	G_96	-2456.5	258.5	872	G_36	-3476.5	258.5
753	G_155	-1453.5	113.5	813	G_95	-2473.5	113.5	873	G_35	-3493.5	113.5
754	G_154	-1470.5	258.5	814	G_94	-2490.5	258.5	874	G_34	-3510.5	258.5
755	G_153	-1487.5	113.5	815	G_93	-2507.5	113.5	875	G_33	-3527.5	113.5
756	G_152	-1504.5	258.5	816	G_92	-2524.5	258.5	876	G_32	-3544.5	258.5
757	G_151	-1521.5	113.5	817	G_91	-2541.5	113.5	877	G_31	-3561.5	113.5
758	G_150	-1538.5	258.5	818	G_90	-2558.5	258.5	878	G_30	-3578.5	258.5
759	G_149	-1555.5	113.5	819	G_89	-2575.5	113.5	879	G_29	-3595.5	113.5
760	G_148	-1572.5	258.5	820	G_88	-2592.5	258.5	880	G_28	-3612.5	258.5
761	G_147	-1589.5	113.5	821	G_87	-2609.5	113.5	881	G_27	-3629.5	113.5
762	G_146	-1606.5	258.5	822	G_86	-2626.5	258.5	882	G_26	-3646.5	258.5
763	G_145	-1623.5	113.5	823	G_85	-2643.5	113.5	883	G_25	-3663.5	113.5
764	G_144	-1640.5	258.5	824	G_84	-2660.5	258.5	884	G_24	-3680.5	258.5
765	G_143	-1657.5	113.5	825	G_83	-2677.5	113.5	885	G_23	-3697.5	113.5
766	G_142	-1674.5	258.5	826	G_82	-2694.5	258.5	886	G_22	-3714.5	258.5
767	G_141	-1691.5	113.5	827	G_81	-2711.5	113.5	887	G_21	-3731.5	113.5
768	G_140	-1708.5	258.5	828	G_80	-2728.5	258.5	888	G_20	-3748.5	258.5
769	G_139	-1725.5	113.5	829	G_79	-2745.5	113.5	889	G_19	-3765.5	113.5
770	G_138	-1742.5	258.5	830	G_78	-2762.5	258.5	890	G_18	-3782.5	258.5
771	G_137	-1759.5	113.5	831	G_77	-2779.5	113.5	891	G_17	-3799.5	113.5
772	G_136	-1776.5	258.5	832	G_76	-2796.5	258.5	892	G_16	-3816.5	258.5
773	G_135	-1793.5	113.5	833	G_75	-2813.5	113.5	893	G_15	-3833.5	113.5
774	G_134	-1810.5	258.5	834	G_74	-2830.5	258.5	894	G_14	-3850.5	258.5
775	G_133	-1827.5	113.5	835	G_73	-2847.5	113.5	895	G_13	-3867.5	113.5
776	G_132	-1844.5	258.5	836	G_72	-2864.5	258.5	896	G_12	-3884.5	258.5
777	G_131	-1861.5	113.5	837	G_71	-2881.5	113.5	897	G_11	-3901.5	113.5
778	G_130	-1878.5	258.5	838	G_70	-2898.5	258.5	898	G_10	-3918.5	258.5
779	G_129	-1895.5	113.5	839	G_69	-2915.5	113.5	899	G_9	-3935.5	113.5
780	G_128	-1912.5	258.5	840	G_68	-2932.5	258.5	900	G_8	-3952.5	258.5

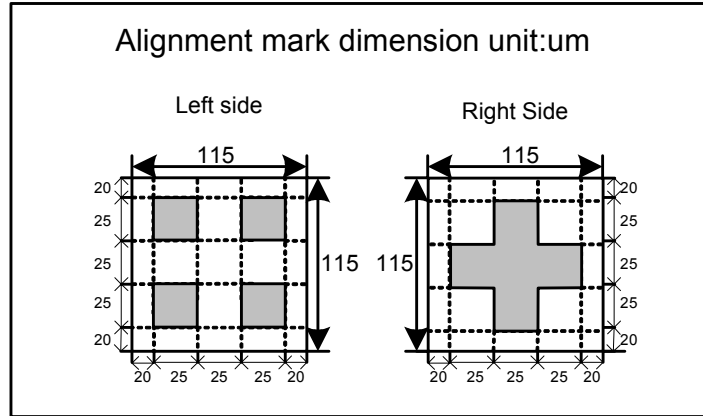
Num	Pad Name	CX	CY	Num	Pad Name	CX	CY	Num	Pad Name	CX	CY
901	G_7	-3969.5	113.5	961	S_431	-5074.5	113.5	1021	S_371	-6094.5	113.5
902	G_6	-3986.5	258.5	962	S_430	-5091.5	258.5	1022	S_370	-6111.5	258.5
903	G_5	-4003.5	113.5	963	S_429	-5108.5	113.5	1023	S_369	-6128.5	113.5
904	G_4	-4020.5	258.5	964	S_428	-5125.5	258.5	1024	S_368	-6145.5	258.5
905	G_3	-4037.5	113.5	965	S_427	-5142.5	113.5	1025	S_367	-6162.5	113.5
906	G_2	-4054.5	258.5	966	S_426	-5159.5	258.5	1026	S_366	-6179.5	258.5
907	G_1	-4071.5	113.5	967	S_425	-5176.5	113.5	1027	S_365	-6196.5	113.5
908	SHIELDING10	-4105.5	258.5	968	S_424	-5193.5	258.5	1028	S_364	-6213.5	258.5
909	COM1_R	-4139.5	258.5	969	S_423	-5210.5	113.5	1029	S_363	-6230.5	113.5
910	COM1_R	-4173.5	258.5	970	S_422	-5227.5	258.5	1030	S_362	-6247.5	258.5
911	SHIELDING11	-4207.5	258.5	971	S_421	-5244.5	113.5	1031	S_361	-6264.5	113.5
912	S_480	-4241.5	258.5	972	S_420	-5261.5	258.5	1032	S_360	-6281.5	258.5
913	S_479	-4258.5	113.5	973	S_419	-5278.5	113.5	1033	S_359	-6298.5	113.5
914	S_478	-4275.5	258.5	974	S_418	-5295.5	258.5	1034	S_358	-6315.5	258.5
915	S_477	-4292.5	113.5	975	S_417	-5312.5	113.5	1035	S_357	-6332.5	113.5
916	S_476	-4309.5	258.5	976	S_416	-5329.5	258.5	1036	S_356	-6349.5	258.5
917	S_475	-4326.5	113.5	977	S_415	-5346.5	113.5	1037	S_355	-6366.5	113.5
918	S_474	-4343.5	258.5	978	S_414	-5363.5	258.5	1038	S_354	-6383.5	258.5
919	S_473	-4360.5	113.5	979	S_413	-5380.5	113.5	1039	S_353	-6400.5	113.5
920	S_472	-4377.5	258.5	980	S_412	-5397.5	258.5	1040	S_352	-6417.5	258.5
921	S_471	-4394.5	113.5	981	S_411	-5414.5	113.5	1041	S_351	-6434.5	113.5
922	S_470	-4411.5	258.5	982	S_410	-5431.5	258.5	1042	S_350	-6451.5	258.5
923	S_469	-4428.5	113.5	983	S_409	-5448.5	113.5	1043	S_349	-6468.5	113.5
924	S_468	-4445.5	258.5	984	S_408	-5465.5	258.5	1044	S_348	-6485.5	258.5
925	S_467	-4462.5	113.5	985	S_407	-5482.5	113.5	1045	S_347	-6502.5	113.5
926	S_466	-4479.5	258.5	986	S_406	-5499.5	258.5	1046	S_346	-6519.5	258.5
927	S_465	-4496.5	113.5	987	S_405	-5516.5	113.5	1047	S_345	-6536.5	113.5
928	S_464	-4513.5	258.5	988	S_404	-5533.5	258.5	1048	S_344	-6553.5	258.5
929	S_463	-4530.5	113.5	989	S_403	-5550.5	113.5	1049	S_343	-6570.5	113.5
930	S_462	-4547.5	258.5	990	S_402	-5567.5	258.5	1050	S_342	-6587.5	258.5
931	S_461	-4564.5	113.5	991	S_401	-5584.5	113.5	1051	S_341	-6604.5	113.5
932	S_460	-4581.5	258.5	992	S_400	-5601.5	258.5	1052	S_340	-6621.5	258.5
933	S_459	-4598.5	113.5	993	S_399	-5618.5	113.5	1053	S_339	-6638.5	113.5
934	S_458	-4615.5	258.5	994	S_398	-5635.5	258.5	1054	S_338	-6655.5	258.5
935	S_457	-4632.5	113.5	995	S_397	-5652.5	113.5	1055	S_337	-6672.5	113.5
936	S_456	-4649.5	258.5	996	S_396	-5669.5	258.5	1056	S_336	-6689.5	258.5
937	S_455	-4666.5	113.5	997	S_395	-5686.5	113.5	1057	S_335	-6706.5	113.5
938	S_454	-4683.5	258.5	998	S_394	-5703.5	258.5	1058	S_334	-6723.5	258.5
939	S_453	-4700.5	113.5	999	S_393	-5720.5	113.5	1059	S_333	-6740.5	113.5
940	S_452	-4717.5	258.5	1000	S_392	-5737.5	258.5	1060	S_332	-6757.5	258.5
941	S_451	-4734.5	113.5	1001	S_391	-5754.5	113.5	1061	S_331	-6774.5	113.5
942	S_450	-4751.5	258.5	1002	S_390	-5771.5	258.5	1062	S_330	-6791.5	258.5
943	S_449	-4768.5	113.5	1003	S_389	-5788.5	113.5	1063	S_329	-6808.5	113.5
944	S_448	-4785.5	258.5	1004	S_388	-5805.5	258.5	1064	S_328	-6825.5	258.5
945	S_447	-4802.5	113.5	1005	S_387	-5822.5	113.5	1065	S_327	-6842.5	113.5
946	S_446	-4819.5	258.5	1006	S_386	-5839.5	258.5	1066	S_326	-6859.5	258.5
947	S_445	-4836.5	113.5	1007	S_385	-5856.5	113.5	1067	S_325	-6876.5	113.5
948	S_444	-4853.5	258.5	1008	S_384	-5873.5	258.5	1068	S_324	-6893.5	258.5
949	S_443	-4870.5	113.5	1009	S_383	-5890.5	113.5	1069	S_323	-6910.5	113.5
950	S_442	-4887.5	258.5	1010	S_382	-5907.5	258.5	1070	S_322	-6927.5	258.5
951	S_441	-4904.5	113.5	1011	S_381	-5924.5	113.5	1071	S_321	-6944.5	113.5
952	S_440	-4921.5	258.5	1012	S_380	-5941.5	258.5	1072	S_320	-6961.5	258.5
953	S_439	-4938.5	113.5	1013	S_379	-5958.5	113.5	1073	S_319	-6978.5	113.5
954	S_438	-4955.5	258.5	1014	S_378	-5975.5	258.5	1074	S_318	-6995.5	258.5
955	S_437	-4972.5	113.5	1015	S_377	-5992.5	113.5	1075	S_317	-7012.5	113.5
956	S_436	-4989.5	258.5	1016	S_376	-6009.5	258.5	1076	S_316	-7029.5	258.5
957	S_435	-5006.5	113.5	1017	S_375	-6026.5	113.5	1077	S_315	-7046.5	113.5
958	S_434	-5023.5	258.5	1018	S_374	-6043.5	258.5	1078	S_314	-7063.5	258.5
959	S_433	-5040.5	113.5	1019	S_373	-6060.5	113.5	1079	S_313	-7080.5	113.5
960	S_432	-5057.5	258.5	1020	S_372	-6077.5	258.5	1080	S_312	-7097.5	258.5

Num	Pad Name	CX	CY
1081	S_311	-7114.5	113.5
1082	S_310	-7131.5	258.5
1083	S_309	-7148.5	113.5
1084	S_308	-7165.5	258.5
1085	S_307	-7182.5	113.5
1086	S_306	-7199.5	258.5
1087	S_305	-7216.5	113.5
1088	S_304	-7233.5	258.5
1089	S_303	-7250.5	113.5
1090	S_302	-7267.5	258.5
1091	S_301	-7284.5	113.5
1092	S_300	-7301.5	258.5
1093	S_299	-7318.5	113.5
1094	S_298	-7335.5	258.5
1095	S_297	-7352.5	113.5
1096	S_296	-7369.5	258.5
1097	S_295	-7386.5	113.5
1098	S_294	-7403.5	258.5
1099	S_293	-7420.5	113.5
1100	S_292	-7437.5	258.5
1101	S_291	-7454.5	113.5
1102	S_290	-7471.5	258.5
1103	S_289	-7488.5	113.5
1104	S_288	-7505.5	258.5
1105	S_287	-7522.5	113.5
1106	S_286	-7539.5	258.5
1107	S_285	-7556.5	113.5
1108	S_284	-7573.5	258.5
1109	S_283	-7590.5	113.5
1110	S_282	-7607.5	258.5
1111	S_281	-7624.5	113.5
1112	S_280	-7641.5	258.5
1113	S_279	-7658.5	113.5
1114	S_278	-7675.5	258.5
1115	S_277	-7692.5	113.5
1116	S_276	-7709.5	258.5
1117	S_275	-7726.5	113.5
1118	S_274	-7743.5	258.5
1119	S_273	-7760.5	113.5
1120	S_272	-7777.5	258.5
1121	S_271	-7794.5	113.5
1122	S_270	-7811.5	258.5
1123	S_269	-7828.5	113.5
1124	S_268	-7845.5	258.5
1125	S_267	-7862.5	113.5
1126	S_266	-7879.5	258.5
1127	S_265	-7896.5	113.5
1128	S_264	-7913.5	258.5
1129	S_263	-7930.5	113.5
1130	S_262	-7947.5	258.5
1131	S_261	-7964.5	113.5
1132	S_260	-7981.5	258.5
1133	S_259	-7998.5	113.5
1134	S_258	-8015.5	258.5
1135	S_257	-8032.5	113.5
1136	S_256	-8049.5	258.5
1137	S_255	-8066.5	113.5
1138	S_254	-8083.5	258.5
1139	S_253	-8100.5	113.5
1140	S_252	-8117.5	258.5

Num	Pad Name	CX	CY
1141	S_251	-8134.5	113.5
1142	S_250	-8151.5	258.5
1143	S_249	-8168.5	113.5
1144	S_248	-8185.5	258.5
1145	S_247	-8202.5	113.5
1146	S_246	-8219.5	258.5
1147	S_245	-8236.5	113.5
1148	S_244	-8253.5	258.5
1149	S_243	-8270.5	113.5
1150	S_242	-8287.5	258.5
1151	S_241	-8304.5	113.5
1152	SHIELDING12	-8332.5	258.5

15. Bump Mask Information





Symbol	Dimension(um)
A	17
A1	34
A2	115
A3	30
B	28
B1	252

Symbol	Dimension(um)
C	70
C1	90
C2	120
C3	33
C4	33
D1	16800
D2	732
D3	632
D4	59
D5	59

Revision History

Version No.	Date	Page	Description
0.00	2008/01/11		New Create
0.01	2008/01/31	12	Modify R11(D4)/R19(D0)
		16	Modify R5[7] Definition
		21	Modify R19[0] Definition
0.02	2008/02/14	4	Modify the definition of Dual Gate 960 x 240 to 480 x 480
		8,9	Add descripton
		13	Delete R85[3]/R87[7]
		23	Delete R87[7]
		39	Modify HSD back/front porch min. value to 40
0.03	2008/07/25	13	Delete R1 – VCOM_DC(R1[5:0]) Note
0.04	2008/08/11	6	Modify the power circuit and diode is assed in the VGL.
0.05	2008/10/06	6	Remove the VGL schottky diode of VGL.
0.06	2008/10/20	26	Add the register R61h and modify R56h and R57h
0.07	2008/11/05	12	Modify R61h R55 R56h and R57h address setting value
0.08	2008/12/10	27	Modify Power On/Off Timing